

FOR NON-FREEZE APPLICATIONS

The Model 101 is an anti-siphon protected wall faucet designed with the classic Woodford look for irrigation purposes in mild climate areas. The Model 101 utilizes Woodford atmospheric vent and patented check to provide anti-siphon protection. This feature eliminates the need for an add-on vacuum breaker that restricts flow.

SPECIFICATIONS:

- ASSE Standard 1019-Type C approved
- UPC / IAPMO listed
- Anti-siphon with integral check and atmospheric vent
- Not intended for continuous use



U.S. Patents: Manufactured under one or more of the following patents: 4,182,356; 5,590,679; 5,632,303 and patents pending

FEATURES:

Nozzle: 3/4" male hose thread

Packing: EPDM with adjustable packing nut

Seat Washer: Standard "O" size

No Lead Solder Joints

Head Casting: Red brass

Valve Stem: Solid brass

Wheel Handle: Powder coated die cast aluminum

Wall Flange: Adjustable, polycarbonate flange

MAX PRESSURE - 125 p.s.i.

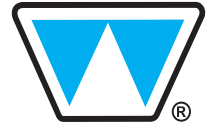
MAX TEMPERATURE - 120°F

SHIPPING WEIGHT: 4.5 lbs per carton

Sold in cartons of 6.



WOODFORD



Anti-Siphon Wall Faucet

Model 101

INLET OPTIONS



101C
COMBINATION INLET
Copper Sweat Fitting
1/2" K, L or M Inside
3/4" M Only Outside
Wall Flange Not Assembled



101CP
COMBINATION INLET
1/2" Male Pipe Thread
1/2" Female Sweat
Wall Flange Not Assembled



101P
COMBINATION INLET
3/4" Male Pipe Thread
1/2" Female Pipe Thread
Wall Flange Not Assembled



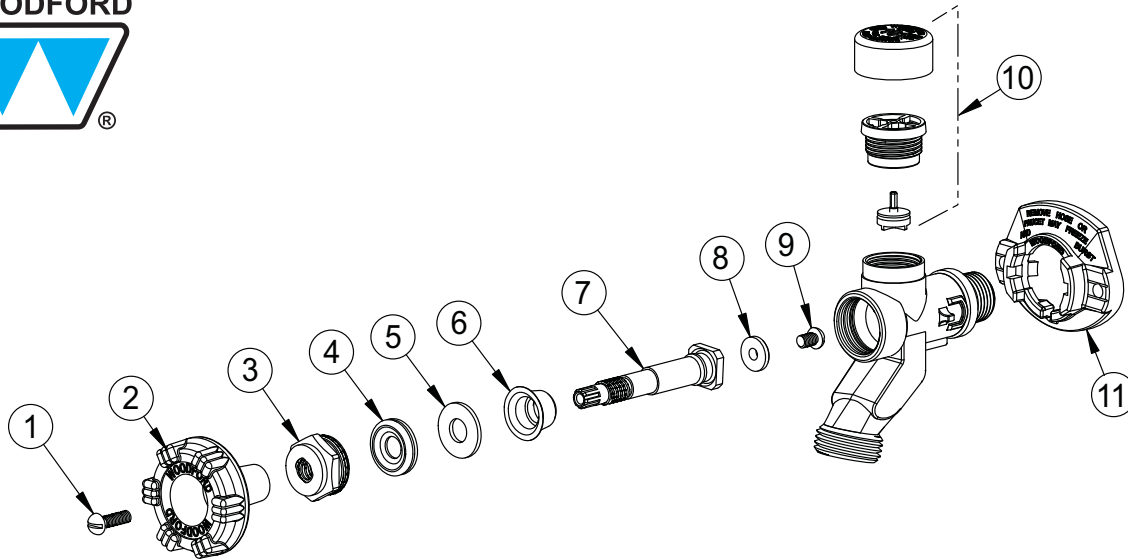
101PX
1/2" PEX Tube Fitting
Wall Flange Assembled



101CM
COMBINATION INLET
1/2" Compression Fitting
1/2" Copper Sweat Fitting
Wall Flange Not Assembled

When ordering, specify model and inlet.

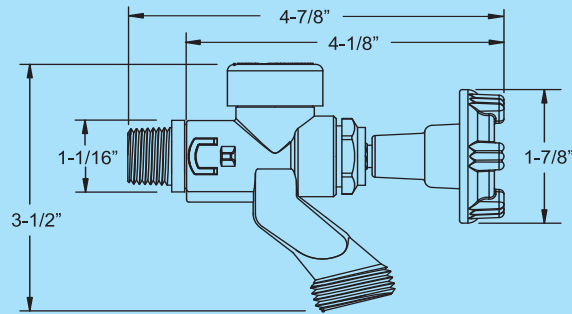
WOODFORD



MODEL 101 PARTS

ITEM	PART#	DESCRIPTION
1	30002	Handle Screw
2	30096	Wheel Handle (Metal)
3	30570	Packing Nut
4	30247	EPDM Packing
5	30105	Packing Support Washer
6	30459	Check Valve
7	30571	Stem Screw
8	30008	Valve Seat Rubber
9	30009	Retainer Screw
10	RK-101VB	Vacuum Breaker Float Kit - Model 101
11	30098	Adjustable Flange
	RK-101	Repair Kit (Includes items 1-6, 8-10)

Rough-In Dimensions



For more information contact...

WOODFORD MANUFACTURING COMPANY

2121 Waynoka Road, Colorado Springs, Colorado 80915 • Phone: (800) 621-6032 • Fax: (800) 765-4115
To view our complete product line visit: www.woodfordmfg.com or email: sales@woodfordmfg.com
A Division Of WCM Industries, Inc.