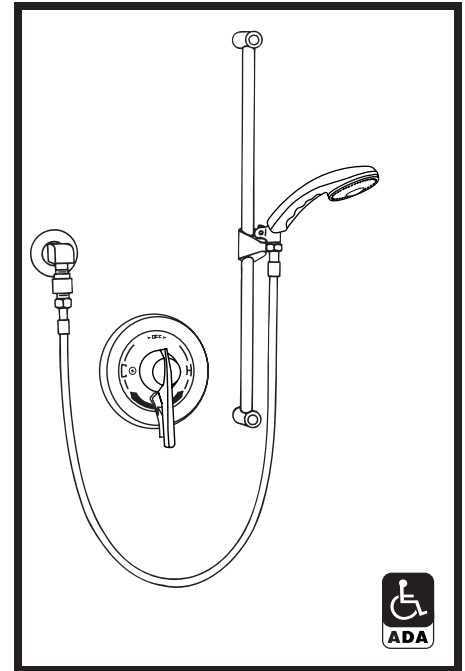


# S-96-300-B30-L-V Temptrol® Shower System with Hand Spray

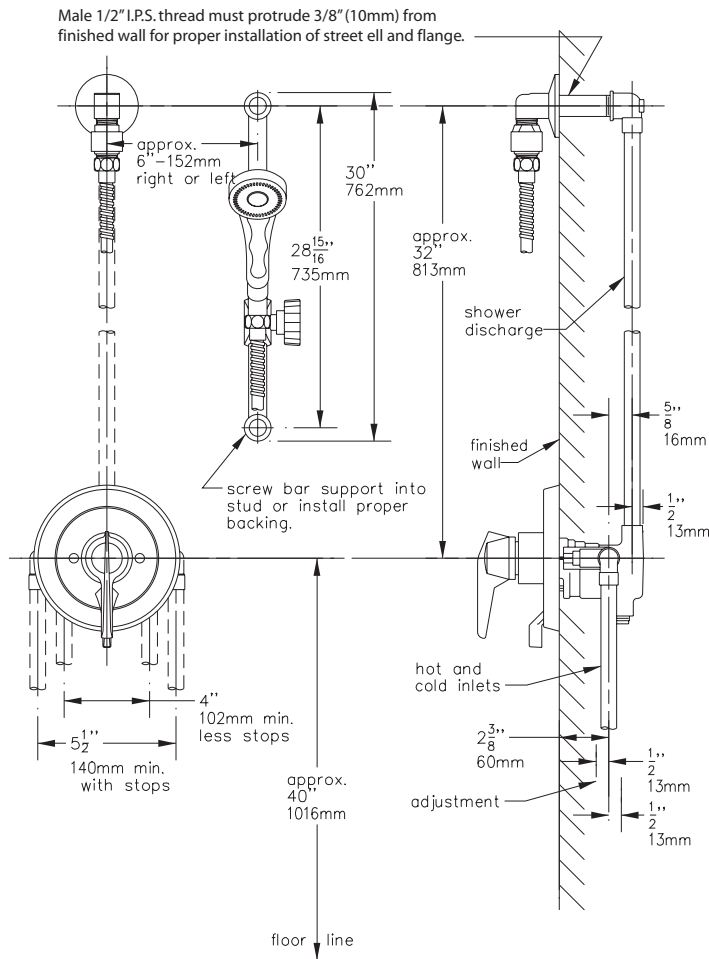
Temptrol Pressure-Balancing mixing valve with lever handle, integral volume control and adjustable stop screw to limit handle turn. Wall/hand shower with in-line vacuum breaker, flexible 5' metal hose, wall connection and flange, 30" slide bar for hand shower mounting.

## Modifications:

- Suffix X:** Integral service stops—allows water shut-off at valve for service
- Suffix QD:** Quick-disconnect for hand spray units
- Suffix LP:** Loop style lever handle
- Suffix B48:** 48" adjusting bar in place of standard 30" bar
- Suffix 1.5:** 1.5 gpm (5.7 L/min) flow rate




**SYMMONS PRODUCTS MEET  
ANSI A112.18.1M, EPA '92  
AND ALL KNOWN FLOW RATE  
REQUIREMENTS.  
Shower Heads and Hand Showers  
2.5 GPM (9.5 L/min)**



## Job/Location

## Engineer

## Contractor

 This drawing to be used for rough-in installation only. All floor to center dimensions optional. Concealed piping and fittings not furnished by manufacturer. Dimensions are for ADA compliance (Americans with Disabilities Act) consult ADAAG or your state regulations for proper product choice and mounting locations. For complete installation, adjustment and service information see installation instructions.

Symmons Industries, Inc. ■ 31 Brooks Drive ■ Braintree, MA 02184  
(800) 796-6667, (781) 848-2250 ■ Fax (800) 961-9621, (781) 843-3849  
Website: [www.symmons.com](http://www.symmons.com) ■ Email: [customerservice@symmons.com](mailto:customerservice@symmons.com)

©2003, 2008 Symmons Industries, Inc. Printed in U.S.A. ■ 042508

  
**SYMMONS®**  
the smart choice™