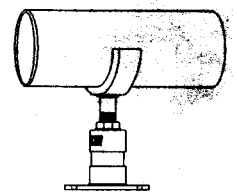


Material Resources, Inc.

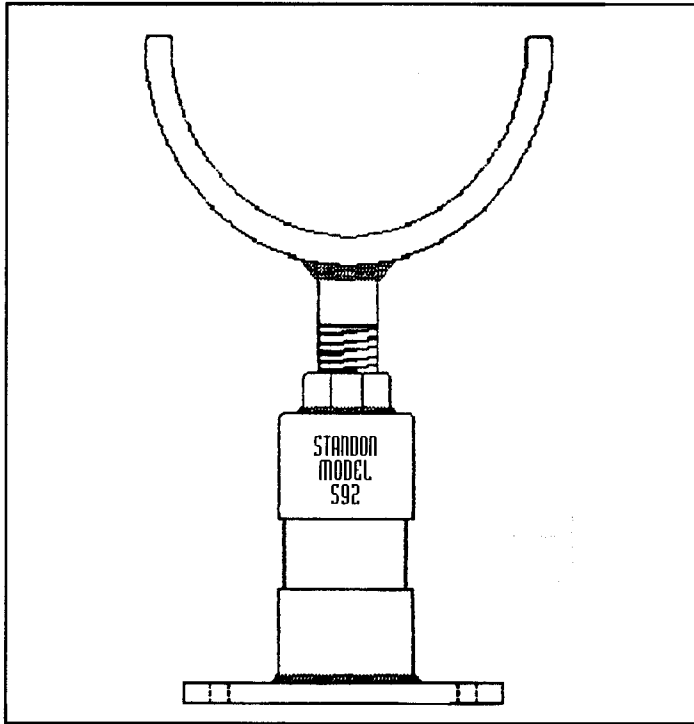
STANDON ADJUSTABLE PIPE SUPPORTS



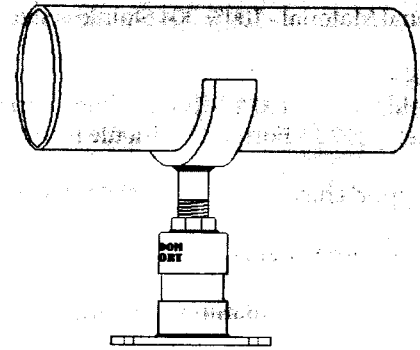
Standon Model S92 Saddle Support

The Standon Model S92 Saddle Support was specifically designed to fit your pipe! A nearly 50% circumferential cradle (170°), and a pipe-to-saddle gap clearance of less than .125" guarantees excellent performance.

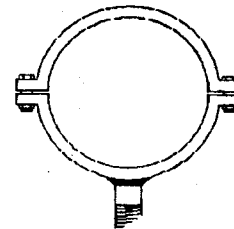
The Standon Saddle Support comes with an oversized base and an adjustable collar allowing up to 3" of fine adjustment.



The Standon Saddle Support is offered in a variety of metals and sizes. Because corrosion is a concern, we offer a galvanized finish. Better yet - try our 100% 304 stainless steel version.



Packaged in an easily inventoried box, the Standon Saddle Support is always ready to do the job. An installation guide is included with each Support. The customer supplies the course extension pipe (size is determined by the size of the support being used). The extension pipe should be field cut to the length required. No threading is needed. The collar and base cups are sized to accept standard sizes of iron pipe. Schedule 40 is the minimum thickness recommended.



The Standon model C92 is a two piece, full circle saddle clamp. It comes supplied with two bolts and nuts to retain the matching top saddle.

"Quality you can Stand On"

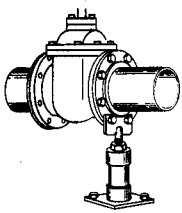
"All Models Tested to 10,000 lbs. Compressive Strength"

For product availability and ordering information on these and other products offered by Material Resources Inc, please call:

(503) 693-0727 or FAX (503) 693-0636

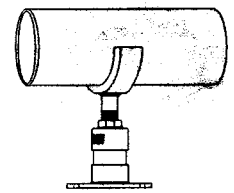
or visit our website at
www.standon.net

MATERIAL RESOURCES, INC.
22700 N.W. Quatama Street
Hillsboro, Oregon 97124



Material Resources, Inc.

STANDON ADJUSTABLE PIPE SUPPORTS



Standon Model S92 Saddle Support — PRODUCT SPECIFICATION SHEET

ALL MODELS TESTED TO OVER 10,000 POUNDS - COMPRESSIVE STRENGTH

MATERIAL -

Saddle strap: ASTM A36
 Collar / base cups: ASTM A53 D.O.M. tubing
 Thread stud: ASTM A36, rolled thread, grade ASTM A307
 Base plate: ASTM A36 sheet steel

Optional Material - 100% 304 Stainless steel

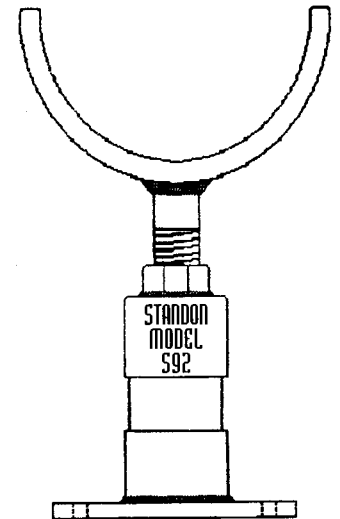
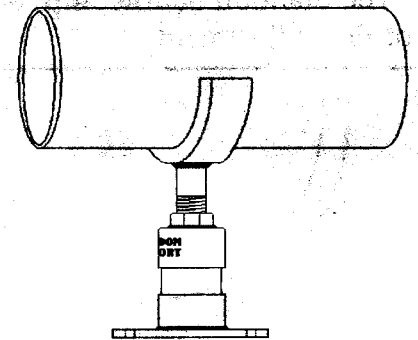
FABRICATION -

All welds: 100% MIG welding, electrode E70XX
 Saddle: Formed to ductile iron or IPS steel radius

FINISH - All supports have corrosion resistant, galvanized finish.

OPTION - A neoprene liner is available to isolate pipe from saddle.

DIMENSIONS - (Note: call manufacturer for 30" through 48" support info.)



SUPPORT SIZE	STRAP SIZE	THRD STUD	BASE PLATE	EXTENSION PIPE REQ.	MINIMUM DIST TO FLOOR
2"	.375" x 1.5"	1" x 6"	4" x 6" x .25"	2" Sch. 40	7"
2.5"	.375" x 1.5"	1" x 6"	4" x 6" x .25"	2" Sch. 40	7"
3"	.375" x 1.5"	1" x 6"	4" x 6" x .25"	2" Sch. 40	7"
4"	.5" x 2"	1" x 6"	8" x 8" x .25"	2" Sch. 40	7"
6"	.5" x 2"	1" x 6"	8" x 8" x .25"	2" Sch. 40	7"
8"	.5" x 2"	1" x 6"	8" x 8" x .25"	2" Sch. 40	7"
10"	.5" x 2"	1" x 6"	8" x 8" x .25"	2" Sch. 40	7"
12"	.5" x 2"	1" x 6"	8" x 8" x .25"	2" Sch. 40	7"
14"	.625" x 3"	1.5" x 6"	8" x 8" x .5"	3" Sch. 40	9.5"
16"	.625" x 3"	1.5" x 6"	8" x 8" x .5"	3" Sch. 40	9.5"
18"	.75" x 4"	2" x 6"	8" x 8" x .5"	4" Sch. 40	10"
20"	.75" x 4"	2" x 6"	8" x 8" x .5"	4" Sch. 40	10"
24"	.75" x 4"	2" x 6"	8" x 8" x .5"	4" Sch. 40	10"

INSTALLATION -

To insure proper Support performance and stability; After final height adjustment is attained, apply tack welds to both support cups and extension pipe. Use E70XX electrode for welds. The base plate should be anchored to the floor with removable anchor bolts. If re-adjustment is required at a later date, remove anchor bolts and rotate entire lower unit using collar nut. Re-anchor base plate.

For product availability and ordering information on these and other products offered by Material Resources Inc, please call:
(503) 693-0727 or FAX (503) 693-0636

LOCAL SUPPLIER:

MATERIAL RESOURCES, INC.
 22700 N.W. Quatama Street
 Hillsboro, Oregon 97124