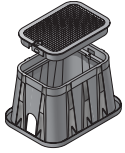
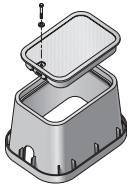


TABLE OF CONTENTS



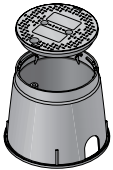
NDS PRO SERIES PLUS VALVE BOXES **2-3**

NEXT GENERATION COMMERCIAL GRADE



NDS PRO SERIES VALVE BOXES **4-8**

COMMERCIAL GRADE



NDS STANDARD SERIES VALVE BOXES **9-13**

RESIDENTIAL/COMMERCIAL GRADE



DFW BY NDS VALVE BOXES **14-19**

RESIDENTIAL GRADE

MARKETING MATERIALS **20-21**

Warranty and Terms – See Back Cover.

NDS PRO SERIES PLUS VALVE BOXES

NEXT GENERATION COMMERCIAL GRADE

Pro Series Plus

The NDS Pro Series Plus line is the next generation of valve boxes, ideal for the specification market. These boxes are engineered with unique corrugated sidewalls that provide added strength to the boxes while reducing material and weight, allowing us to price the Pro Series Plus line to be 6% less overall than our Pro Series line. The Pro Series Plus boxes are the strongest in the NDS offering, and they also come with reinforced lids. This line is part of the Professional Series family of valve boxes.

DETAILS

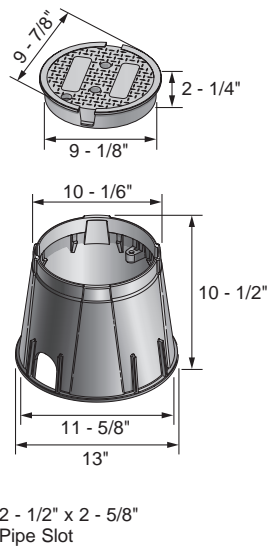
- Corrugated sidewalls provide greater strength
- Specification grade valve boxes for professional applications
- Reinforced covers for heavier loads

MATERIALS AND STANDARDS

- High-impact, high-density structural foam polyethylene construction.
- Overlapping covers prevent dirt and grass from settling in between body and cover.
- UV inhibitors prevent discoloration and cracking.

NDS Pro Series Plus 10" Round Corrugated Valve Boxes

Specifications: The NDS PRO SERIES PLUS 10" round valve boxes and covers are injection molded of structural foam polyethylene material with a melt index between 10-12. Coloring and UV stabilizers are added, along with processing lubricants when needed. The 10" round body shall be tapered and have a minimum wall thickness of .250". The cover seat area shall have 8 structural support ribs on the underside of the seat, each with a minimum thickness of .250". The bottom of the body shall have a .500" flange. The 10" round cover shall have an average thickness of .300".



Part Number	Description - Marking	Color (Box/Cover)	Pallet Qty	Weight Ea	List Price Ea	Product Class
Box & Cover						
312BC	10" Round Corrugated Box, Round Overlapping Cover - ICV	Green/Green	132	4.00	24.06	20PR
312BCB	10" Round Corrugated Box, Overlapping Bolt-Down Cover - ICV	Green/Green	132	4.10	25.11	20PR
312BCSAND	10" Round Corrugated Box, Round Overlapping Cover - ICV	Sand/Sand	132	4.00	24.06	20PR
312BCBSAND	10" Round Corrugated Box, Overlapping Bolt-Down Cover - ICV	Sand/Sand	132	4.10	25.11	20PR
312PBCR	10" Round Corrugated Box, Round Overlapping Cover - Reclaimed Water	Purple/Purple	132	4.00	24.60	20PR
312PBCBR	10" Round Corrugated Box, Overlapping Bolt-Down Cover - Reclaimed Water	Purple/Purple	132	4.10	25.11	20PR
Cover Only						
311C	10" Round Overlapping Cover - ICV	Green	200	1.50	7.89	20PR
311CSAND	10" Round Overlapping Cover - ICV	Sand	200	1.50	7.89	20PR
311CR	10" Round Overlapping Cover - Reclaimed Water	Purple	200	1.50	7.89	20PR
Box Only						
312B	10" Round Corrugated Box	Green	132	2.50	16.17	20PR
312BSAND	10" Round Corrugated Box	Sand	132	2.50	16.17	20PR
312PB	10" Round Corrugated Box	Purple	132	2.50	16.17	20PR
211BB	2-1/2" x 3/8" SS Bolt	Steel	1	0.10	2.18	20PR

NDS PRO SERIES PLUS VALVE BOXES

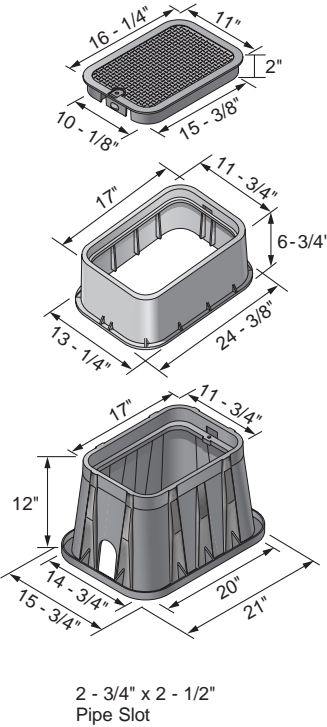
NEXT GENERATION COMMERCIAL GRADE

NDS Pro Series Plus 14" X 19" Corrugated Irrigation Valve Boxes

Specifications: The NDS PRO SERIES PLUS 14"x19" valve boxes and covers are injection molded of structural foam polyethylene material with a melt index between 10-12. Coloring and UV stabilizers are added, along with processing lubricants when needed.

The 14"x19" body shall be tapered and have a minimum wall thickness of .187". The body shall have a double wall at the top cover seat area with a minimum thickness of .200". The cover seat area shall have 18 structural support ribs on the underside of the seat, each with a minimum thickness of .200". The bottom of the body shall have a .500" flange. The 14"x19" cover shall have an average thickness of .200".

Part Number	Description - Marking	Color (Box/Cover)	Pallet Qty	Weight Ea	List Price Ea	Product Class
Box & Cover						
314BC	14"x19" Box, Overlapping Cover - ICV	Green/Green	84	7.30	41.66	20PR
314BCB	14"x19" Corrugated Box, Overlapping Bolt-Down Cover - ICV	Green/Green	84	7.40	42.71	20PR
314BCNH	14"x19" Corrugated Box w/ No Holes, Overlapping Cover - ICV	Green/Green	84	7.30	41.66	20PR
314BCSAND	14"x19" Box, Overlapping Cover - ICV	Sand/Sand	84	7.30	41.66	20PR
314BCBSAND	14"x19" Corrugated Box, Overlapping Bolt-Down Cover - ICV	Sand/Sand	84	7.40	42.71	20PR
314PBCR	14"x19" Box, Overlapping Cover - Reclaimed Water	Purple/Purple	84	7.30	41.66	20PR
314PBCBR	14"x19" Corrugated Box, Overlapping Bolt-Down Cover - Reclaimed Water	Purple/Purple	84	7.40	42.71	20PR
314PBCR NH	14"x19" Corrugated Box w/ No Holes, Overlapping Cover - Reclaimed Water	Purple/Purple	84	7.30	41.66	20PR
314BCRG	14"x19" Box, 14"x19" Overlapping Cover - Reclaimed Water	Green/Green	84	7.30	41.66	20PR
Cover Only						
313C	14"x19" Overlapping Cover - ICV	Green	300	2.30	12.21	20PR
313CSAND	14"x19" Overlapping Cover - ICV	Sand	300	2.30	13.87	20PR
313CR	14"x19" Overlapping Cover - Reclaimed Water	Purple	300	2.30	13.87	20PR
313CRG	14"x19" Overlapping Cover - Reclaimed Water	Green	300	2.30	12.21	20PR
Box Only						
314B	14"x19" Box	Green	84	5.00	29.45	20PR
314BSAND	14"x19" Box	Sand	84	5.00	33.47	20PR
314PB	14"x19" Box	Purple	84	5.00	33.47	20PR
314BNH	14"x19" Corrugated Box w/ No Holes	Green	84	5.00	29.45	20PR
314PBNH	14"x19" Corrugated Box w/ No Holes	Purple	84	5.00	33.47	20PR
214-6	14"x19"x6" Extension	Green	49	4.00	29.33	20PR
213BB	2-1/2" x 3/8" SS Bolt	Steel	1	0.10	2.18	20PR

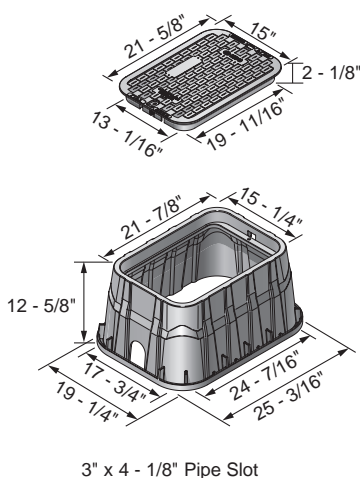


NDS Pro Series Plus 13" X 20" Jumbo Corrugated Valve Boxes

Specifications: The NDS PRO SERIES PLUS 13"x20" valve boxes and covers are injection molded of structural foam polyethylene material with a melt index between 10-12. Coloring and UV stabilizers are added, along with processing lubricants when needed.

The 13"x20" body shall be tapered and have a minimum wall thickness of .250". The body shall have a double wall at the top cover seat area with a minimum thickness of .250". The cover seat area shall have 22 structural support ribs on the underside of the seat, each with a minimum thickness of .130". The bottom of the body shall have a .500" flange. The 13"x20" cover shall have an average thickness of .250".

Part Number	Description - Marking	Color (Box/Cover)	Pallet Qty	Weight Ea	List Price Ea	Product Class
Box & Cover						
318BC	13"x20" Jumbo Box, Overlapping Cover - ICV	Green/Green	56	14.25	76.15	20PR
318BCB	13"x20" Corrugated Jumbo Box, Overlapping Bolt-Down Cover - ICV	Green/Green	56	14.35	77.20	20PR
318BCSAND	13"x20" Jumbo Box, Overlapping Cover - ICV	Sand/Sand	56	14.25	76.15	20PR
318BCBSAND	13"x20" Corrugated Jumbo Box, Overlapping Bolt-Down Cover - ICV	Sand/Sand	56	14.35	77.20	20PR
318PBCR	13"x20" Jumbo Box, Overlapping Cover - Reclaimed Water	Purple/Purple	56	14.25	76.15	20PR
318PBCBR	13"x20" Corrugated Jumbo Box, Overlapping Bolt-Down Cover - Reclaimed Water	Purple/Purple	56	14.35	77.20	20PR
Cover Only						
317C	13"x20" Overlapping Cover - ICV	Green	180	5.05	22.90	20PR
317CSAND	13"x20" Overlapping Cover - ICV	Sand	180	5.05	22.90	20PR
317CR	13"x20" Overlapping Cover - Reclaimed Water	Purple	180	5.05	22.90	20PR
Box Only						
318B	13"x20" Jumbo Box	Green	56	9.20	53.25	20PR
318BSAND	13"x20" Jumbo Box	Sand	56	9.20	53.25	20PR
318PB	13"x20" Jumbo Box	Purple	56	9.20	53.25	20PR
213BB	2-1/2" x 3/8" SS Bolt	Steel	1	0.10	2.18	20PR



NDS PRO SERIES VALVE BOXES

COMMERCIAL GRADE

Pro Series Valve Boxes by NDS

- Engineered specifically for the professional contractor and heavy-duty use.
- Superior strength for commercial and utility applications.

DETAILS

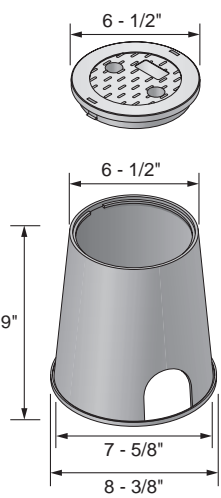
- Thicker wall dimensions for increased strength and durability.
- Reinforced covers for heavier loads.
- Reinforced ribs offer exceptional sidewall strength.

MATERIALS AND STANDARDS

- High-impact, high-density structural foam polyethylene construction.
- Overlapping covers prevent dirt and grass from settling in between body and cover.
- UV inhibitors prevent discoloration and cracking.

NDS Pro Series 6" Round Valve Boxes

Specifications: The NDS PRO SERIES 6" round valve boxes and covers are injection molded of structural foam polyethylene material with a melt index between 10-12. Coloring and UV stabilizers are added, along with processing lubricants when needed. The 6" round body shall be tapered and have a minimum wall thickness of .200". The body shall have a double wall at the top cover seat area with a minimum thickness of .130". The bottom of the body shall have a .250" flange. The 6" round cover shall have an average thickness of .187".

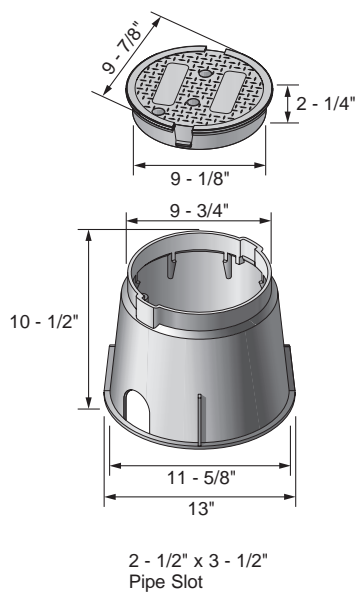
	Part Number	Description - Marking	Color (Box/Cover)	Pallet Qty	Weight Ea	List Price Ea	Product Class
 <p>6 - 1/2"</p> <p>6 - 1/2"</p> <p>9"</p> <p>7 - 5/8"</p> <p>8 - 3/8"</p> <p>2 - 3/4 x 2 - 3/8" Pipe Slot</p>	Box & Cover						
	208BC	6" Round Box, Round Overlapping Cover - ICV	Green/Green	250	1.50	7.11	20PR
	208BCW	6" Round Box, Round Overlapping Cover - Water	Green/Green	250	1.50	7.11	20PR
	208BCS	6" Round Box, Round Overlapping Cover - Sewer	Green/Green	250	1.50	7.11	20PR
	107BC CATV	6" Round Box, Round Overlapping Cover - CATV	Black/Black	250	1.50	6.54	20PR
	Cover Only						
	107C	6" Round Overlapping Cover - ICV	Green	800	0.40	2.87	20ND
	107CW	6" Round Overlapping Cover - Water	Green	800	0.40	2.87	20ND
	107CS	6" Round Overlapping Cover - Sewer	Green	800	0.40	2.87	20ND
	107C CATV	6" Round Box, Round Overlapping Cover - CATV	Black	800	0.40	2.87	20PR
Box Only							
208B	6" Round Box	Green	250	1.10	4.23	20PR	

NDS PRO SERIES VALVE BOXES

COMMERCIAL GRADE

NDS Pro Series 10 " Round Valve Boxes

Specifications: The NDS PRO SERIES 10" round valve boxes and covers are injection molded of structural foam polyethylene material with a melt index between 10-12. Coloring and UV stabilizers are added, along with processing lubricants when needed. The 10" round body shall be tapered and have a minimum wall thickness of .250". The cover seat area shall have 8 structural support ribs on the underside of the seat, each with a minimum thickness of .250". The bottom of the body shall have a .500" flange. The 10" round cover shall have an average thickness of .300".



Part Number	Description - Marking	Color (Box/Cover)	Pallet Qty	Weight Ea	List Price Ea	Product Class
Box & Cover						
212BC	10" Round Box, Round Overlapping Cover - ICV	Green/Green	120	4.50	25.59	20PR
212BCB	10" Round Box, Round Overlapping Bolt-Down Cover - ICV	Green/Green	120	4.60	27.77	20PR
211BCBLK	10" Round Box, Round Overlapping Cover - ICV	Black/Black	120	4.50	25.59	20PR
211PBCR	10" Round Box, Round Overlapping Cover - Reclaimed Water	Purple/Purple	120	4.50	25.59	20PR
212BCRG	10" Round Box, Round Overlapping Cover - Reclaimed Water	Green/Green	120	4.50	25.59	20PR
212BCW	10" Round Box, Round Overlapping Cover - Water	Green/Green	120	4.50	25.59	20PR
212BCBW	10" Round Box, Round Overlapping Bolt-Down Cover - Water	Green/Green	120	4.60	27.77	20PR
212BCS	10" Round Box, Round Overlapping Cover - Sewer	Green/Green	120	4.50	25.59	20PR
212BCBS	10" Round Box, Round Overlapping Bolt-Down Cover - Sewer	Green/Green	120	4.60	27.77	20PR
212BC CATV	10" Round Box, Round Overlapping Cover - CATV	Black/Black	120	4.50	25.59	20PR
212BCB CATV	10" Round Box, Round Overlapping Bolt-Down Cover - CATV	Black/Black	120	4.60	27.77	20PR
212BC ELEC	10" Round Box, Round Overlapping Cover - Electrical	Gray/Gray	120	4.50	25.59	20PR
212BCB ELEC	10" Round Box, Round Overlapping Bolt-Down Cover - Electrical	Gray/Gray	120	4.60	27.77	20PR
212BC ELE BLK	10" Round Box, Round Overlapping Cover - Electrical	Black/Black	120	4.60	25.59	20PR
212BC TELE	10" Round Box, Round Overlapping Cover - Telephone	Black/Black	120	4.50	25.59	20PR
212BCB TELE	10" Round Box, Round Overlapping Bolt-Down Cover - Telephone	Black/Black	120	4.60	27.77	20PR
Cover Only						
211C	10" Round Overlapping Cover - ICV	Green	200	1.50	8.39	20PR
211CR	10" Round Overlapping Cover - Reclaimed Water	Purple	200	1.50	8.39	20PR
211CRG	10" Round Overlapping Cover - Reclaimed Water	Green	200	1.50	8.39	20PR
211C BLK	10" Round Overlapping Cover - ICV	Black	200	1.50	8.39	20PR
211CW	10" Round Overlapping Cover - Water	Black	200	1.50	8.39	20PR
211CS	10" Round Overlapping Cover - Sewer	Green	200	1.50	8.39	20PR
211C CATV	10" Round Overlapping Cover - CATV	Black	200	1.50	8.39	20PR
211C ELEC	10" Round Overlapping Cover - Electrical	Gray	200	1.50	8.39	20PR
211CE ELEC	10" Round Overlapping Cover - Electrical	Gray	200	1.50	8.39	20PR
211C TELE	10" Round Overlapping Cover - Telephone	Black	200	1.50	8.39	20PR
211C GAS	10" Round Overlapping Cover - Gas	Green	200	1.50	9.20	20PR
Box Only						
212B	10" Round Box	Green	120	3.00	17.20	20PR
212PB	10" Round Box	Purple	120	3.00	17.20	20PR
212B BLK	10" Round Box	Black	120	3.00	17.20	20PR
212B GRAY	10" Round Box	Gray	120	3.00	17.20	20PR
211BB	2-1/2" x 3/8" SS Bolt	Steel	1	0.10	2.18	20PR

NDS PRO SERIES VALVE BOXES

COMMERCIAL GRADE

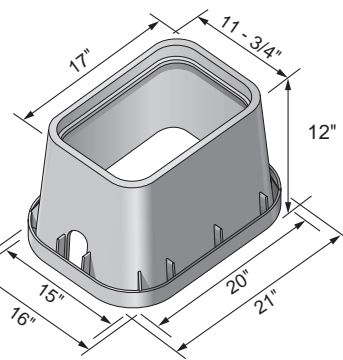
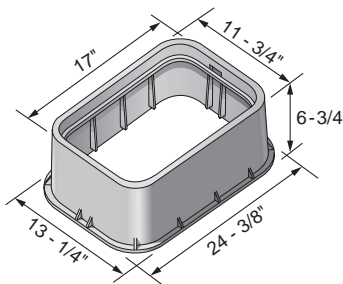
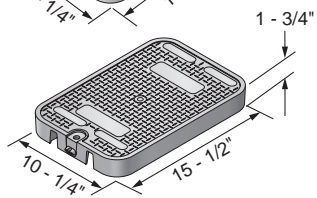
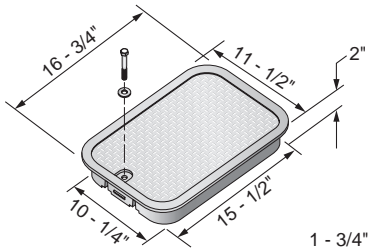
NDS Pro Series 14" X 19" Rectangular Valve Boxes

Specifications: The NDS PRO SERIES 14"x19" valve boxes and covers are injection molded of structural foam polyethylene material with a melt index between 10-12.

Coloring and UV stabilizers are added, along with processing lubricants when needed.

The 14"x19" body shall be tapered and have a minimum wall thickness of .200". The body shall have a double wall at the top cover seat area with a minimum thickness of .250". The cover seat area shall have 16 structural support ribs on the underside of the seat, each with a minimum thickness of .250". The bottom of the body shall have a .500" flange. The 14"x19" cover shall have an average thickness of .300".

Part Number	Description - Marking	Color (Box/Cover)	Pallet Qty	Weight Ea	List Price Ea	Product Class
Box & Cover						
214BC	14"x19" Box, Overlapping Cover - ICV	Green/Green	78	9.00	44.46	20PR
214BCB	14"x19" Box, Overlapping Bolt-Down Cover - ICV	Green/Green	78	9.10	46.64	20PR
214BCD	14"x19" Box, Drop-in Cover - ICV	Green/Green	78	9.00	44.46	20PR
214BCDB	14"x19" Box, Drop-in Bolt-Down Cover - ICV	Green/Green	78	9.00	46.64	20PR
213BCBLK	14"x19" Box, Overlapping Cover - ICV	Black/Black	78	9.00	44.46	20PR
216	14"x19"x6" Extension, Overlapping Cover - ICV	Green/Green	49	9.00	42.36	20PR
216BCB	14"x19"x6" Extension, Overlapping Bolt-Down Cover - ICV	Green/Green	49	9.10	44.54	20PR
213PBCR	14"x19" Box, Overlapping Cover - Reclaimed water	Purple/Purple	78	9.00	44.46	20PR
214BCW	14"x19" Box, Overlapping Cover - Water	Green/Green	72	10.30	44.46	20PR
214BCDW	14"x19" Box, Drop-in Cover - Water	Green/Green	78	9.00	46.64	20PR
214BCS	14"x19" Box, Overlapping Cover - Sewer	Green/Green	78	9.00	44.46	20PR
214BCBS	14"x19" Box, Overlapping Bolt-Down Cover - Sewer	Green/Green	78	9.10	46.64	20PR
214BC CATV	14"x19" Box, Overlapping Cover - CATV	Black/Black	78	9.00	44.46	20PR
214BCB CATV	14"x19" Box, Overlapping Bolt-Down Cover - CATV	Black/Black	78	9.10	46.64	20PR
214BCD CATV	14"x19" Box, Drop-in Cover - CATV	Black/Black	78	9.00	45.39	20PR
214BCDB CATV	14"x19" Box, Drop-in Bolt-Down Cover - CATV	Black/Black	78	9.10	46.64	20PR
214BC ELEC	14"x19" Box, Overlapping Cover - Electrical	Gray/Gray	78	9.00	44.46	20PR
214BCB ELEC	14"x19" Box, Overlapping Bolt-Down Cover - Electrical	Gray/Gray	78	9.10	46.64	20PR
214BCD ELEC	14"x19" Box, Drop-in Cover - Electrical	Gray/Gray	78	9.00	44.46	20PR
214BCDB ELEC	14"x19" Box, Drop-in Bolt-Down Cover - Electrical	Gray/Gray	78	9.10	46.64	20PR
214BC TELE	14"x19" Box, Overlapping Cover - Telephone	Black/Black	78	9.00	44.46	20PR
214BCB TELE	14"x19" Box, Overlapping Bolt-Down Cover - Telephone	Black/Black	78	9.10	46.64	20PR
214BCD TELE	14"x19" Box, Drop-in Cover - Telephone	Black/Black	78	9.00	44.46	20PR
214BCDB TELE	14"x19" Box, Drop-in Bolt-Down Cover - Telephone	Black/Black	78	9.10	46.64	20PR
Cover Only						
213C	14"x19" Overlapping Cover - ICV	Green	300	2.50	13.03	20PR
213CD	14"x19" Drop-in Cover - ICV	Green	300	2.50	13.03	20PR
213CB	14"x19" Overlapping Cover - ICV	Black	300	2.50	13.03	20PR
213CR	14"x19" Overlapping Cover - Reclaimed water	Purple	300	2.50	15.65	20PR
213CR GRN	14"x19" Overlapping Cover - Reclaimed water	Green	300	2.50	15.65	20PR
213CW	14"x19" Overlapping Cover - Water	Green	300	2.50	13.03	20PR
213CDW	14"x19" Drop-in Cover - Water	Green	300	2.50	13.30	20PR
213CS	14"x19" Overlapping Cover - Sewer	Green	300	2.50	13.03	20PR
213C CATV	14"x19" Overlapping Cover - CATV	Black	300	2.50	13.03	20PR
213CD CATV	14"x19" Drop-in Cover - CATV	Black	300	2.50	13.03	20PR
213C ELEC	14"x19" Overlapping Cover - Electrical	Gray	300	2.50	13.03	20PR
213CD ELEC	14"x19" Drop-in Cover - Electrical	Gray	300	2.50	13.03	20PR
213C TELE	14"x19" Overlapping Cover - Telephone	Black	300	2.50	13.03	20PR
213CD TELE	14"x19" Drop-in Cover - Telephone	Black	300	2.50	13.03	20PR
Box Only						
214B	14"x19" Box	Green	78	6.00	31.43	20PR
214-6	14"x19"x6" Extension	Green	49	4.00	29.33	20PR
214-6P	14"x19"x6" Extension	Purple	49	4.00	29.33	20PR
214B CAL	14"x19" Box w/ No Holes	Green	78	6.00	32.61	20PR
214B GRAY	14"x19" Box	Gray	78	6.00	31.43	20PR
213BB	2-1/2" x 3/8" SS Bolt	Steel	1	0.10	2.18	20PR



3x4" Pipe Slot

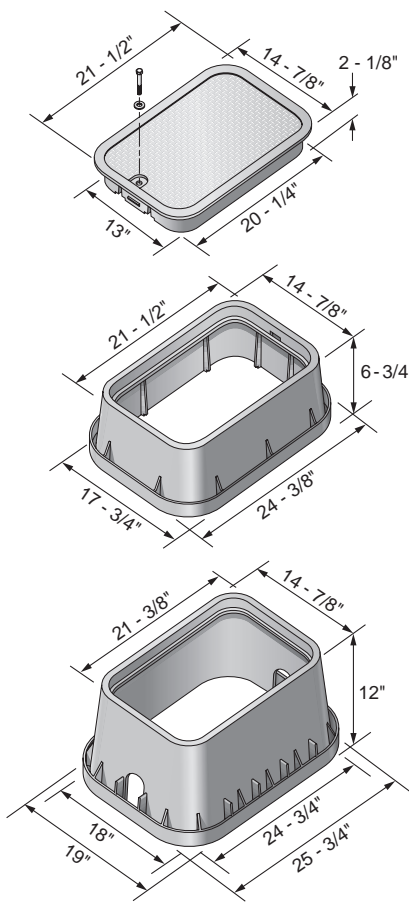
NDS PRO SERIES VALVE BOXES

COMMERCIAL GRADE

NDS Pro Series 13" X 20" Jumbo Rectangular Valve Boxes

Specifications: The NDS PRO SERIES 13"x20" valve boxes and covers are injection molded of structural foam polyethylene material with a melt index between 10-12. Coloring and UV stabilizers are added, along with processing lubricants when needed.

The 13"x20" body shall be tapered and have a minimum wall thickness of .250". The body shall have a double wall at the top cover seat area with a minimum thickness of .250". The cover seat area shall have 16 structural support ribs on the underside of the seat, each with a minimum thickness of .250". The bottom of the body shall have a .500" flange. The 13"x20" cover shall have an average thickness of .250".



3x4" Pipe Slot

Part Number	Description - Marking	Color (Box/Cover)	Pallet Qty	Weight Ea	List Price Ea	Product Class
Box & Cover						
218BC	13"x20" Jumbo Box, Overlapping Cover - ICV	Green/Green	56	14.00	80.01	20PR
218BCB	13"x20" Jumbo Box, Overlapping Bolt-Down Cover - ICV	Green/Green	56	14.10	83.19	20PR
220	13"x20"x6" Jumbo Extension, Overlapping Cover - ICV	Green/Green	32	11.00	70.39	20PR
217BCBLK	13"x20" Jumbo Box, Overlapping Cover - ICV	Black/Black	56	14.00	81.01	20PR
217PBCR	13"x20" Jumbo Box, Overlapping Cover - Reclaimed Water	Purple/Green	56	14.00	81.01	20PR
218BCW	13"x20" Jumbo Box, Overlapping Cover - Water	Green/Green	56	14.00	81.00	20PR
218BCS	13"x20" Jumbo Box, Overlapping Cover - Sewer	Green/Green	56	14.00	81.01	20PR
218BCBS	13"x20" Jumbo Box, Overlapping Bolt-Down Cover - Sewer	Green/Green	56	14.10	83.19	20PR
218BC ELEC	13"x20" Jumbo Box, Overlapping Cover - Electrical	Gray/Gray	56	14.00	81.01	20PR
218BCB ELEC	13"x20" Jumbo Box, Overlapping Bolt-Down Cover - Electrical	Gray/Gray	56	14.10	83.19	20PR
218BCD ELEC	13"x20" Jumbo Box, Drop-in Cover - Electrical	Gray/Gray	56	14.00	81.00	20PR
218BCDB ELEC	13"x20" Jumbo Box, Drop-in Bolt-Down Cover - Electrical	Gray/Gray	56	14.00	91.51	20PR
218BC TELE	13"x20" Jumbo Box, Overlapping Cover - Telephone	Black/Black	56	14.00	81.10	20PR
218BCB TELE	13"x20" Jumbo Box, Overlapping Bolt-Down Cover - Telephone	Black/Black	56	14.10	83.19	20PR
Cover Only						
217C	13"x20" Overlapping Cover - ICV	Green	180	5.00	24.36	20PR
217CB	13"x20" Overlapping Cover - ICV	Black	180	5.00	24.36	20PR
217CW	13"x20" Overlapping Cover - ICV	Green	180	5.00	24.35	20PR
217CS	13"x20" Jumbo Overlapping Cover - Sewer	Green	180	5.00	24.36	20PR
217C CATV	13"x20" Jumbo Overlapping Cover - CATV	Black	180	5.00	24.36	20PR
217C ELEC	13"x20" Jumbo Overlapping Cover - Electrical	Gray	180	5.00	24.36	20PR
217C TELE	13"x20" Jumbo Overlapping Cover - Telephone	Black	180	5.00	24.36	20PR
217CR	13"x20" Jumbo Overlapping Cover - Reclaimed Water	Purple	180	5.00	24.35	20PR
Box Only						
218B	13"x20" Jumbo Box	Green	56	9.00	56.65	20PR
218-6	13"x20"x6" Jumbo Extension	Green/Green	32	6.00	46.03	20PR
117PB	13"x20" Jumbo Box	Purple	56	9.00	59.28	20PR
218B GRAY	13"x20" Jumbo Box	Gray	56	9.00	56.65	20PR
213BB	2-1/2" x 3/8" SS Bolt	Steel	1	0.10	2.18	20ND

NDS PRO SERIES VALVE BOXES

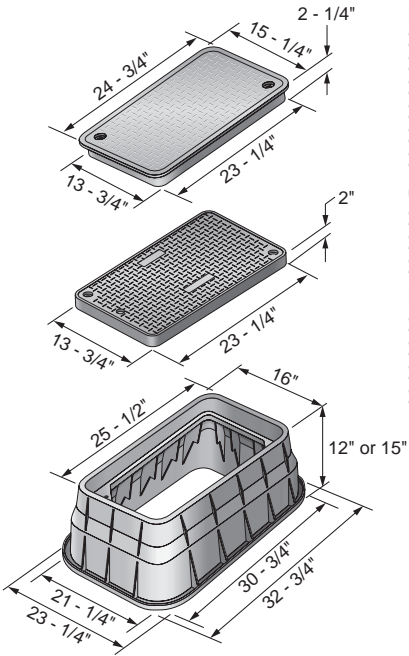
COMMERCIAL GRADE

NDS Pro Series 13" X 24" Rectangular Valve Boxes

Specifications: The NDS PRO SERIES 13"x24" valve boxes and covers are injection molded of structural foam polyethylene material with a melt index between 10-12.

Coloring and UV stabilizers are added, along with processing lubricants when needed.

The 13"x24" body shall be tapered and have a minimum wall thickness of .270". The body shall have a double wall at the top cover seat area with a minimum thickness of .270". The cover seat area shall have 18 structural support ribs on the underside of the seat, each with a minimum thickness of .250". The bottom of the body shall have a 1.000" flange. The 13"x24" cover shall have an average thickness of .320".



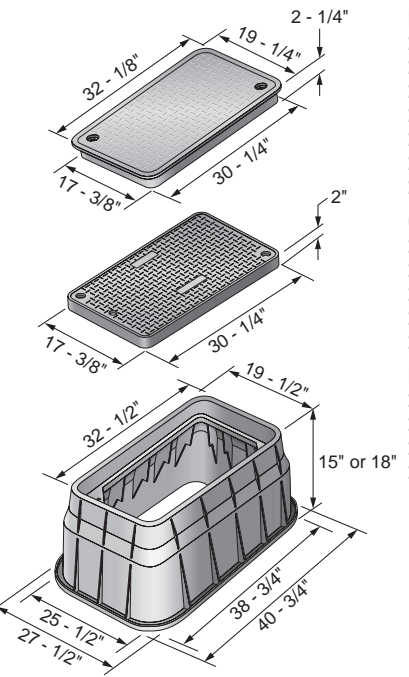
Part Number	Description - Marking	Color (Box/Cover)	Pallet Qty	Weight Ea	List Price Ea	Product Class
Box & Cover						
221BCB	13"x24"x12" Box, Overlapping Bolt-Down Cover - ICV	Green/Green	12	24.00	176.25	20PR
222BCB	13"x24"x15" Box, Overlapping Bolt-Down Cover - ICV	Green/Green	12	26.00	188.60	20PR
221BCDB	13"x24"x12" Box, Drop-in Bolt-Down Cover - ICV	Green/Green	12	24.00	176.25	20PR
222BCDB	13"x24"x15" Box, Drop-in Bolt-Down Cover - ICV	Green/Green	12	26.00	188.60	20PR
221BCDB ELEC	13"x24"x12" Box, Drop-in Cover - Electric	Gray/Gray	12	23.90	176.24	20PR
222BCDB ELEC	13"x24"x15" Box, Drop-in Cover - Electric	Gray/Gray	12	25.90	188.60	20PR
Cover Only						
222C	13"x24" Overlapping Cover - ICV	Green	125	7.00	60.01	20PR
222CD	13"x24" Drop-in Cover - ICV	Green	125	7.00	60.01	20PR
222CD ELEC	13"x24" Drop-in Cover - Electric	Gray	125	7.00	60.01	20PR
Box Only						
221B	13"x24"x12" Box	Green	16	17.00	115.99	20PR
222B	13"x24"x15" Box	Green	12	19.00	128.59	20PR
221B GRAY	13"x24"x12" Box	Gray	12	17.00	115.99	20PR
222B GRAY	13"x24"x15" Box	Gray	12	19.00	128.59	20PR

NDS Pro Series 17" X 30" Rectangular Valve Boxes

Specifications: The NDS PRO SERIES 17"x30" valve boxes and covers are injection molded of structural foam polyethylene material with a melt index between 10-12.

Coloring and UV stabilizers are added, along with processing lubricants when needed.

The 17"x30" body shall be tapered and have a minimum wall thickness of .320". The body shall have a double wall at the top cover seat area with a minimum thickness of .320". The cover seat area shall have 20 structural support ribs on the underside of the seat, each with a minimum thickness of .250". The bottom of the body shall have a 1.000" flange. The 17"x30" cover shall have an average thickness of .350".



Part Number	Description - Marking	Color (Box/Cover)	Pallet Qty	Weight Ea	List Price Ea	Product Class
Box & Cover						
224BCB	17"x30"x15" Box, Overlapping Bolt-Down Cover - ICV	Green/Green	12	28.00	283.13	20PR
226BCB	17"x30"x18" Box, Overlapping Bolt-Down Cover - ICV	Green/Green	10	37.00	301.22	20PR
224BCDB	17"x30"x15" Box, Drop-in Bolt-Down Cover - ICV	Green/Green	12	28.00	283.13	20PR
226BCDB	17"x30"x18" Box, Drop-in Bolt-Down Cover - ICV	Green/Green	10	37.00	301.22	20PR
226PBCRB	17"x30"x18" Box, Overlapping Cover - Reclaimed Water	Purple/Purple	10	37.00	316.69	20PR
224BCDB ELEC	17"x30"x15" Box, Drop-in Cover - Electric	Gray/Gray	12	28.00	283.13	20PR
226BCDB ELEC	17"x30"x18" Box, Drop-in Cover - Electric	Gray/Gray	10	36.90	301.22	20PR
Cover Only						
223C	17"x30" Overlapping Cover - ICV	Green	75	11.00	127.23	20PR
223CD	17"x30" Drop-in Cover - ICV	Green	75	11.00	127.23	20PR
223CR	17"x30" Overlapping Cover - Reclaimed Water	Purple	75	11.00	139.43	20PR
223CDR	17"x30" Drop-in Cover - Reclaimed Water	Purple	75	11.00	139.43	20PR
223CD ELEC	17"x30" Drop-in Cover - Electric	Gray	75	11.00	127.23	20PR
Box Only						
224B	17"x30"x15" Box	Green	12	20.00	156.08	20PR
224B GRAY	17"x30"x15" Box	Gray	12	20.00	155.89	20PR
226B	17"x30"x18" Box	Green	10	23.00	174.46	20PR
226B GRAY	17"x30"x18" Box	Gray	10	23.00	182.74	20PR

NDS STANDARD SERIES VALVE BOXES

RESIDENTIAL/COMMERCIAL GRADE

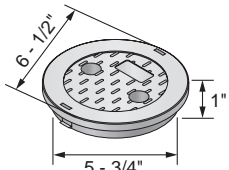
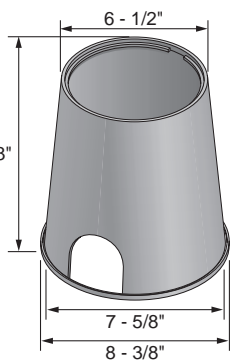
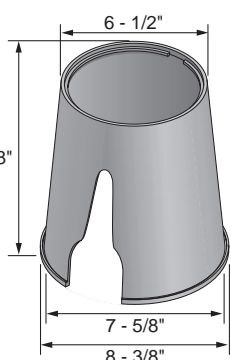
Valve Boxes by NDS

NDS valve, meter and access boxes are offered in a wide range of sizes from the 7-inch round valve box to the 17"x30" rectangular box. They are available with black, green, purple, gray and sand covers with designations including irrigation control valve, water, sewer, electric, reclaimed water, cable TV, telephone and others.

- Covers are identified with ICV (Irrigation Control Valve) designation, unless otherwise specified
- Overlapping covers prevent dirt and grass from settling between body and cover
- The bayonet twist-on cover ensures easy removal on 7 inch and 10 inch round covers
- 7" Snap cover and body available
- The 10-inch round and all rectangular boxes include a brass insert, so bolts may be easily added for lock down
- UV inhibitors prevent discoloration and deterioration; such as cracking or blistering
- Standard cover color and designations: ICV – Green, Water – Black, Sewer – Green, CATV – Black, Reclaimed – Purple, Telephone – Black, Electric – Gray

NDS Standard Series 6" Round Valve Boxes

Specifications: The NDS STANDARD SERIES 6" round valve boxes and covers are injection molded of structural foam polyolefin material with a melt index between 10-12. Coloring and UV stabilizers are added, along with processing lubricants when needed. The 6" round body shall be tapered and have a minimum wall thickness of .200". The body shall have a double wall at the top cover seat area with a minimum thickness of .130". The bottom of the body shall have a .250" flange. The 6" round cover shall have an average thickness of .187".

	Part Number	Description - Marking	Color (Box/Cover)	Pallet Qty	Weight Ea	List Price Ea	Product Class
	Box & Cover						
	107BC	6" Round Box, Round Overlapping Cover - ICV	Black/Green	250	1.50	6.54	20ND
	107BCH	6" Round Snap-in Valve Box, Round Snap-in Overlapping Cover - ICV	Black/Green	250	1.50	6.54	20ND
	107BC SAND	6" Round Box, Round Overlapping Cover - ICV	Sand/Sand	250	1.50	7.85	20ND
	107EBC	6" Round Emitter Box, Round Overlapping Cover - Emitter Box	Black/Green	250	1.50	6.54	20ND
	107BEC	6" Round Emitter Box, Round Overlapping Cover - Emitter Box	Black/Green	250	1.50	6.46	20ND
	107BCR	6" Round Box, Round Overlapping Cover - Reclaimed Water	Black/Purple	250	1.50	6.93	20ND
	107PBCR	6" Round Box, Overlapping Cover - Reclaimed Water	Purple/Purple	250	1.50	7.85	20ND
	107PEBCR	6" Round Emitter Box, Round Overlapping Cover - QCV	Purple/Purple	250	1.50	10.98	20ND
	107EBCR	6" Round Emitter Box, Round Overlapping Cover - Emitter Box	Black/Purple	250	1.50	10.98	20ND
	107PEBCR QCV	6" Round Emitter Box, Round Overlapping Cover - QCV	Purple/Purple	250	1.50	6.54	20ND
	107BCS	6" Round Box, Overlapping Cover - Sewer	Black/Green	250	1.50	6.54	20ND
	Cover Only						
	107C	6" Round Overlapping Cover - ICV	Green	800	0.40	2.87	20ND
	107C SAND	6" Round Overlapping Cover - ICV	Sand	800	0.40	3.26	20ND
	107CH	6" Round Snap-in Overlapping Cover - ICV	Green	800	0.40	2.87	20ND
	107CS	6" Round Overlapping Cover - Sewer	Green	800	0.40	2.87	20ND
	107EC	6" Round Overlapping Cover - Emitter Box	Green	800	0.40	2.87	20ND
	107EC QCV	6" Round Overlapping Cover - QCV	Green	800	0.40	2.87	20ND
	107CR	6" Round Overlapping Cover - Reclaimed Water	Purple	800	0.40	3.26	20ND
	107CR QCV	6" Round Overlapping Cover - QCV	Purple	800	0.40	2.87	20ND
	107C CATV	6" Round Overlapping Cover - CATV	Green	800	0.40	2.87	20ND
	107CW	6" Round Overlapping Cover - Water	Green	800	0.40	2.87	20ND
		Box Only					
107B		6" Round Box	Black	250	1.10	3.68	20ND
107PB		6" Round Box	Purple	250	1.10	4.60	20ND
107B SAND		6" Round Box	Sand	250	1.10	4.60	20ND
106B		6" Round Snap-in Valve Box	Black	250	1.10	3.68	20ND
107EB		6" Round Emitter Box	Black	250	1.10	3.68	20ND
107PEB		6" Round Emitter Box	Purple	250	1.10	4.03	20ND

2 - 3/4" x 2 - 3/8" Pipe Slot

NDS STANDARD SERIES VALVE BOXES

RESIDENTIAL/COMMERCIAL GRADE

NDS Standard Series 10" Round Valve Boxes

Specifications: The NDS STANDARD SERIES 10" round valve boxes and covers are injection molded of structural foam polyolefin material with a melt index between 10-12. Coloring and UV stabilizers are added, along with processing lubricants when needed. The 10" round body shall be tapered and have a minimum wall thickness of .200". The cover seat area shall have 6 structural support ribs on the underside of the seat, each with a minimum thickness of .250". The bottom of the body shall have a .500" flange. The 10" round cover shall have an average thickness of .250".

	Part Number	Description - Marking	Color (Box/Cover)	Pallet Qty	Weight Ea	List Price Ea	Product Class	
	Box & Cover							
	111BC	10" Round Box, Round Overlapping Cover - ICV	Black/Green	180	3.00	16.05	20ND	
	111BCB	10" Round Box, Round Overlapping Bolt-Down Cover - ICV	Black/Green	180	3.00	17.66	20ND	
	111BC SAND	10" Round Box, Round Overlapping Cover - ICV	Sand/Sand	180	3.00	19.26	20ND	
	111BCR	10" Round Box, Round Overlapping Cover - Reclaimed Water	Black/Purple	180	3.00	17.02	20ND	
	111PBCR	10" Round Box, Round Overlapping Cover - Reclaimed Water	Purple/Purple	180	3.00	19.26	20ND	
	111BCW	10" Round Box, Round Overlapping Cover - Water	Black/Green	180	3.00	16.05	20ND	
	111BCS	10" Round Box, Overlapping Cover - Sewer	Black/Green	180	3.00	16.05	20ND	
	111BCBS	10" Round Box, Overlapping Bolt-Down Cover - Sewer	Black/Green	180	3.00	17.66	20ND	
	Cover Only							
	111C	10" Round Overlapping Cover - ICV	Green	300	1.00	7.11	20ND	
	111C SAND	10" Round Overlapping Cover - ICV	Sand	300	1.00	8.07	20ND	
111CR	10" Round Overlapping Cover - Reclaimed Water	Purple	300	1.00	8.07	20ND		
111CEB	10" Round Overlapping Cover - Electrical	Black	300	1.00	7.11	20ND		
111CE-GY	10" Round Overlapping Cover - Electrical	Gray	300	1.00	7.11	20ND		
111CW	10" Round Overlapping Cover - Water	Green	300	1.00	7.11	20ND		
111CS	10" Round Overlapping Cover - Sewer	Green	300	1.00	7.11	20ND		
111C CATV	10" Round Overlapping Cover - CATV	Green	300	1.00	7.11	20ND		
111CE	10" Round Overlapping Cover - Electrical	Green	300	1.00	7.11	20ND		
111CH	10" Round Overlapping Cover - With Hole, ICV	Green	300	1.00	7.11	20ND		
Box Only								
111B	10" Round Box	Black	180	2.00	8.95	20ND		
111B SAND	10" Round Box	Sand	180	2.00	11.18	20ND		
111PB	10" Round Box	Purple	180	2.00	11.18	20ND		
111BB	1-1/4" x 5/16" SS Bolt	Steel	1	0.10	1.61	20ND		

NDS STANDARD SERIES VALVE BOXES

RESIDENTIAL/COMMERCIAL GRADE

NDS Standard Series 14"x19" Rectangular Valve Boxes

Specifications: The NDS STANDARD SERIES 14"x19" valve boxes and covers are injection molded of structural foam polyolefin material with a melt index between 10-12. Coloring and UV stabilizers are added, along with processing lubricants when needed. The 14"x19" body shall be tapered and have a minimum wall thickness of .200". The body shall have a double wall at the top cover seat area with a minimum thickness of .250". The cover seat area shall have 16 structural support ribs on the underside of the seat, each with a minimum thickness of .250". The bottom of the body shall have a .500" flange. The 14"x19" cover shall have an average thickness of .250".

Part Number	Description - Marking	Color (Box/Cover)	Pallet Qty	Weight Ea	List Price Ea	Product Class
Box & Cover						
113BC	14"x19" Box, Overlapping Cover - ICV	Black/Green	78	8.00	33.02	20ND
113BCB	14"x19" Box, Overlapping Bolt-Down Cover - ICV	Black/Green	78	8.10	39.99	20ND
113BCD	14"x19" Box, Drop-in Cover - ICV	Black/Green	78	8.00	33.02	20ND
113BCDB	14"x19" Box, Drop-in Bolt-Down Cover - ICV	Black/Green	78	8.10	35.21	20ND
113BC SAND	14"x19" Box, Overlapping Cover - ICV	Sand/Sand	78	8.00	40.01	20ND
113BCR	14"x19" Box, Overlapping Cover - Reclaimed Water	Black/Purple	78	8.00	38.37	20ND
113PBCR	14"x19" Box, Overlapping Cover - Reclaimed Water	Purple/Purple	78	8.00	39.99	20ND
113BCBW	14"x19" Box, Overlapping Bolt-Down Cover - Water	Black/Green	78	8.10	37.71	20ND
113BCBS	14"x19" Box, Overlapping Bolt-Down Cover - Sewer	Black/Green	78	8.10	37.71	20ND
113BCE	14"x19" Box, Overlapping Cover - Electrical	Black/Green	78	8.00	32.67	20ND
113BCT	14"x19" Box, Overlapping Cover - Telephone	Black/Green	78	8.00	32.67	20ND
113BCDS	14"x19" Box, Drop-in Cover - Telephone	Black/Green	78	8.00	33.02	20ND
113BCDBS	14"x19" Box, Drop-in Bolt-Down Cover - Sewer	Black/Green	79	8.10	35.21	20ND
115	14"x19"x6" Box, Overlapping Cover - ICV	Black/Green	49	8.00	29.09	20ND
115BCB	14"x19"x6" Box, Overlapping Bolt-Down Cover - ICV	Blk Ext/Grn Cvr	49	8.10	38.43	20ND
115TBC	14"x19"x6" Tapered Box, Overlapping Cover - ICV	Black/Green	96	6.00	29.09	20ND
115TBCB	14"x19"x6" Tapered Box, Overlapping Bolt-Down Cover - ICV	Black/Green	96	6.10	33.11	20ND
116	14"x19"x6" Box, Overlapping Cover - ICV	Green/Green	49	8.00	36.08	20ND
116TBC	14"x19"x6" Tapered Box, Overlapping Cover - ICV	Green/Green	96	6.00	29.09	20ND
Cover Only						
113C	14"x19" Overlapping Cover - ICV	Green	300	2.00	11.19	20ND
113CD	14"x19" Drop-in Cover - ICV	Sand	300	2.00	11.19	20ND
113C SAND	14"x19" Overlapping Cover - ICV	Sand	300	2.00	12.72	20ND
113CR	14"x19" Overlapping Cover - Reclaimed Water	Purple	300	2.00	12.72	20ND
113CE	14"x19" Overlapping Cover - Electrical	Green	300	2.00	11.19	20ND
113CT	14"x19" Overlapping Cover - Telephone	Green	300	2.00	11.19	20ND
113CDS	12"x17" Drop-in Cover - Sewer	Green	300	2.00	11.19	20ND
Box Only						
113B	14"x19" Box	Black	78	6.00	21.83	20ND
114B SAND	14"x19" Box	Sand	78	6.00	24.13	20ND
113PB	14"x19" Box	Purple	78	6.00	27.28	20ND
113-6	14"x19"x6" Extension	Black	49	4.00	17.89	20ND
115TB	14"x19"x6" Tapered Box	Black	96	4.00	17.89	20ND
116TB	14"x19"x6" Tapered Box	Green	96	4.00	17.89	20ND
116-SAND	14"x19"x6" Extension	Sand	49	6.00	36.08	20ND
116TB SAND	14"x19"x6" Tapered Box	Sand	96	4.00	17.89	20ND
113BB	2-1/2" x 3/8" SS Bolt	Steel	1	0.10	1.61	20ND

2 - 3/4 x 2 - 1/2"
Pipe Slot

NDS STANDARD SERIES VALVE BOXES

RESIDENTIAL/COMMERCIAL GRADE

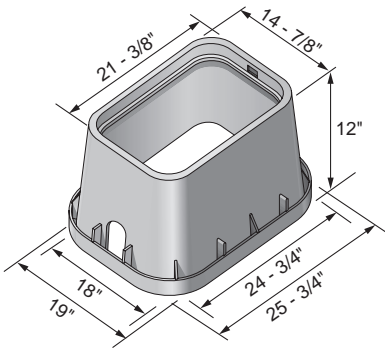
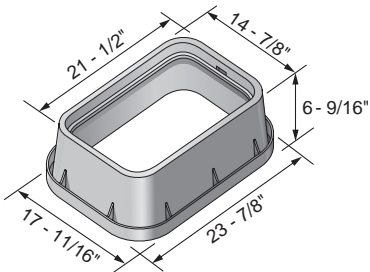
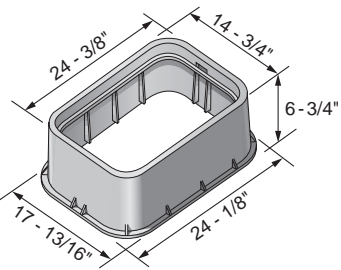
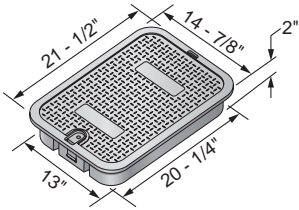
NDS Standard Series 13" X 20" Jumbo Rectangular Valve Boxes

Specifications: The NDS STANDARD SERIES 13"x20" valve boxes and covers are injection molded of structural foam polyolefin material with a melt index between 10-12.

Coloring and UV stabilizers are added, along with processing lubricants when needed.

The 13"x20" body shall be tapered and have a minimum wall thickness of .250". The body shall have a double wall at the top cover seat area with a minimum thickness of .250". The cover seat area shall have 16 structural support ribs on the underside of the seat, each with a minimum thickness of .250". The bottom of the body shall have a .500" flange. The 13"x20" cover shall have an average thickness of .250".

Part Number	Description - Marking	Color (Box/Cover)	Pallet Qty	Weight Ea	List Price Ea	Product Class
Box & Cover						
117BC	13"x20" Jumbo Box, Overlapping Cover - ICV	Black/Green	56	14.00	71.79	20ND
117BCB	13"x20" Jumbo Box, Overlapping Bolt-Down Cover - ICV	Black/Green	56	14.10	73.97	20ND
117BC SAND	13"x20" Jumbo Box, Overlapping Cover - ICV	Sand/Sand	56	14.00	86.96	20ND
117PBCR	13"x20" Jumbo Box, Overlapping Cover - Reclaimed Water	Purple/Purple	56	14.00	86.96	20ND
117BCBS	13"x20" Jumbo Box, Overlapping Bolt-Down Cover - Sewer	Black/Black	56	14.10	73.97	20ND
117BCS	13"x20" Jumbo Box, Overlapping Cover - Sewer	Black/Green	56	14.00	71.79	20ND
119	13"x20"x6" Jumbo Extension, Overlapping Cover - ICV	Black/Green	32	12.00	69.69	20ND
119TBC	13"x20"x6" Tapered Box, Overlapping Cover - ICV	Black/Green	56	12.00	69.69	20ND
119 SAND	13"x20"x6" Jumbo Extension, Overlapping Cover - ICV	Sand/Sand	32	12.00	83.62	20ND
Cover Only						
117C	13"x20" Overlapping Cover - ICV	Green	180	5.00	40.83	20ND
117C SAND	13"x20" Overlapping Cover - ICV	Sand	180	5.00	27.68	20ND
117CR	13"x20" Overlapping Cover - Reclaimed	Purple	180	5.00	27.68	20ND
117CS	13"x20" Jumbo Overlapping Cover - Sewer	Green	180	5.00	24.36	20ND
Box Only						
117B	13"x20" Jumbo Box	Black	56	9.00	47.43	20ND
117B SAND	13"x20" Jumbo Box	Sand	56	9.00	59.28	20ND
117PB	13"x20" Jumbo Box	Purple	56	9.00	59.28	20ND
117-6	13"x20" Jumbo Extension	Black	32	6.00	45.33	20ND
119TB	13"x20"x6" Tapered Box	Black	56	6.00	45.33	20ND
113BB	2-1/2" x 3/8" SS Bolt	Steel	1	0.10	1.61	20ND



3x4" Pipe Slot

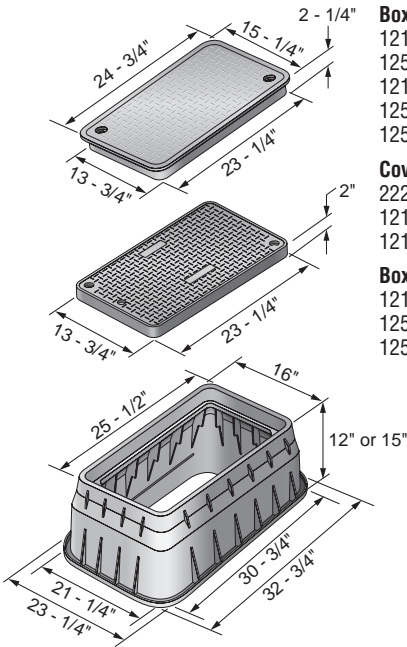
NDS STANDARD SERIES VALVE BOXES

RESIDENTIAL/COMMERCIAL GRADE

NDS Standard Series 13" X 24" Rectangular Valve Boxes

Specifications: The NDS STANDARD SERIES 13"x24" valve boxes and covers are injection molded of structural foam polyolefin material with a melt index between 10-12. Coloring and UV stabilizers are added, along with processing lubricants when needed. The 13"x24" body shall be tapered and have a minimum wall thickness of .270". The body shall have a double wall at the top cover seat area with a minimum thickness of .270". The cover seat area shall have 18 structural support ribs on the underside of the seat, each with a minimum thickness of .250". The bottom of the body shall have a 1.000" flange. The 13"x24" cover shall have an average thickness of .320".

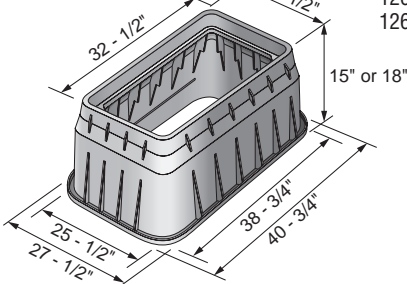
Part Number	Description - Marking	Color (Box/Cover)	Pallet Qty	Weight Ea	List Price Ea	Product Class
Box & Cover						
121BCB	13"x24"x12" Box, Overlapping Bolt-Down Cover - ICV	Black/Green	12	24.00	176.25	20ND
125BCB	13"x24"x15" Box, Overlapping Bolt-Down Cover - ICV	Black/Green	12	26.00	188.60	20ND
121BCDB	13"x24"x12" Box, Drop-in Bolt-Down Cover - ICV	Black/Green	12	24.00	176.25	20ND
125BCDB	13"x24"x15" Box, Drop-in Bolt-Down Cover - ICV	Black/Green	12	26.00	188.60	20ND
125PBCR	13"x24"x15" Box, Overlapping Cover - Reclaimed Water	Black/Purple	12	26.00	189.28	20ND
Cover Only						
222C	13"x24" Overlapping Cover - ICV	Green	125	7.00	60.10	20ND
121CD	13"x24" Drop-in Cover - ICV	Green	125	7.00	60.01	20ND
121CR	13"x24" Overlapping Cover - Reclaimed Water	Purple	125	7.00	68.19	20ND
Box Only						
121B	13"x24"x12" Box	Black	12	17.00	115.99	20ND
125PB	13"x24"x15" Box	Purple	12	19.00	173.33	20ND
125B	13"x24"x15" Box	Black	12	19.00	128.59	20ND



NDS Standard Series 17" X 30" Rectangular Valve Boxes

Specifications: The NDS STANDARD SERIES 17"x30" valve boxes and covers are injection molded of structural foam polyolefin material with a melt index between 10-12. Coloring and UV stabilizers are added, along with processing lubricants when needed. The 17"x30" body shall be tapered and have a minimum wall thickness of .320". The body shall have a double wall at the top cover seat area with a minimum thickness of .320". The cover seat area shall have 20 structural support ribs on the underside of the seat, each with a minimum thickness of .250". The bottom of the body shall have a 1.000" flange. The 17"x30" cover shall have an average thickness of .350".

Part Number	Description - Marking	Color (Box/Cover)	Pallet Qty	Weight Ea	List Price Ea	Product Class
Box & Cover						
124BCB	17"x30"x15" Box, Overlapping Bolt-Down Cover - ICV	Black/Green	10	28.00	283.13	20ND
126BCB	17"x30"x18" Box, Overlapping Bolt-Down Cover - ICV	Black/Green	10	37.00	301.22	20ND
124BCDB	17"x30"x15" Box, Drop-in Bolt-Down Cover - ICV	Black/Green	12	28.00	283.13	20ND
126BCDB	17"x30"x18" Box, Drop-in Bolt-Down Cover - ICV	Black/Green	10	37.00	301.22	20ND
126PBCRB	17"x30"x18" Box, Overlapping Bolt-Down Cover - Reclaimed Water	Purple/Purple	10	37.00	364.04	20ND
Cover Only						
223C	17"x30" Overlapping Cover - ICV	Green	10	11.00	127.23	20ND
123CR	17"x30" Overlapping Cover - Reclaimed Water	Purple	75	11.00	145.22	20ND
123CD	17"x30" Drop-in Cover - ICV	Green	75	11.00	127.60	20ND
Box Only						
124B	17"x30"x15" Box	Black	12	20.00	155.90	20ND
126B	17"x30"x18" Box	Black	10	23.00	175.06	20ND
126PB	17"x30"x18" Box	Purple	10	23.00	218.82	20ND
126B GRAY	17"x30"x18" Box	Gray	10	23.00	174.43	20ND



For customer service, please send your fax to: 1-800-726-1998 or call 1-800-726-1994.

DFW BY NDS VALVE BOXES

RESIDENTIAL GRADE

DFW Valve Boxes by NDS

DFW Valve & Meter Boxes are designed to offer years of service under the most demanding outdoor conditions.

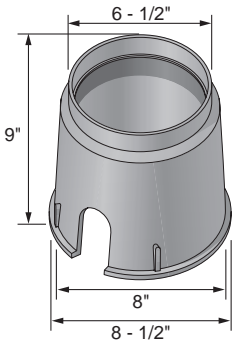
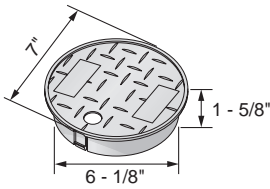
- Overlapping and drop-in covers available
- Overlapping covers prevent dirt and grass from settling between body and cover, making it easier to remove over time
- Available in round, oval, and rectangular
- One-piece molded of polyolefins
- UV inhibitors added to aid in preventing discoloration and cracking

DFW by NDS 6" Round Valve Boxes

Specifications: DFW by NDS 6" round valve boxes and covers are injection molded of recycled polyolefin material with a melt index between 10-12. Coloring and UV stabilizers are added, along with processing lubricants when needed.

The 6" round body shall be tapered and have a minimum wall thickness of .130". The body shall have a double wall at the top cover seat area with a minimum thickness of .125". The bottom of the body shall have a .250" flange. The 6" round cover shall have an average thickness of .150".

Part Number	Description - Marking	Color (Box/Cover)	Pallet Qty	Weight Ea	List Price Ea	Product Class
Box & Cover						
D109-G	6" Round Box, 6" Round Cover - ICV	Black/Green	600	1.20	6.08	20ME
D109-P	6" Round Box, 6" Round Cover - Reclaimed Water	Black/Purple	600	1.21	7.90	20ME
D109-GBOX	6" Round Box, 6" Round Cover - ICV	Black/Green	36 Box/ 900 Pall.	1.20	6.08	20ME
Cover Only						
D109-GL	6" Round Cover - ICV	Green	600	0.40	2.55	20ME
D109-PL	6" Round Cover - Reclaimed Water	Purple	600	0.40	4.38	20ME
Box Only						
D109-B/O	6" Round Box	Black	600	0.80	3.95	20ME



2 - 1/4 x 2 - 3/4" Pipe Slots

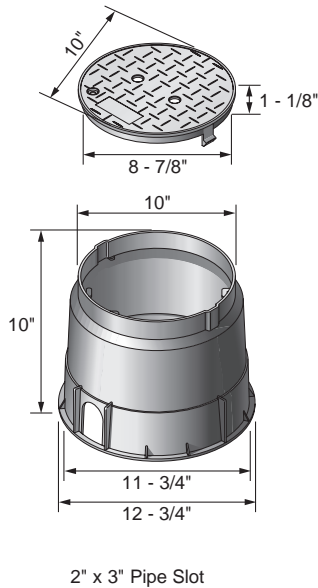
DFW BY NDS VALVE BOXES

RESIDENTIAL GRADE

DFW by NDS 10" Round Valve Boxes

Specifications: DFW by NDS 10" round valve boxes and covers are injection molded recycled polyolefin material with a melt index between 10-12. Coloring and UV stabilizers are added, along with processing lubricants when needed. The 10" round body shall be tapered and have a minimum wall thickness of .200". The body shall have a cover seat area with a minimum thickness of .20". The bottom of the body shall have a .500" flange. The 10" round cover shall have an average thickness of .200".

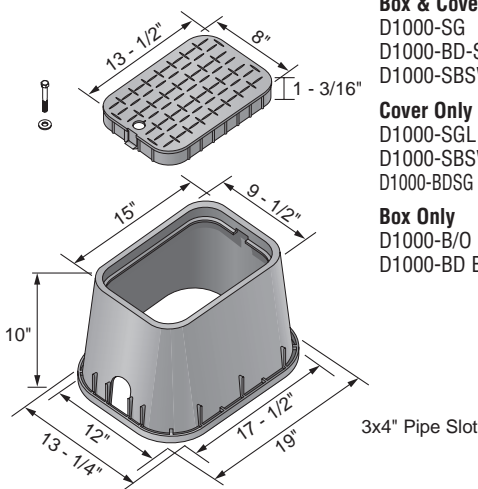
Part Number	Description - Marking	Color (Box/Cover)	Pallet Qty	Weight Ea	List Price Ea	Product Class
Box & Cover						
D1100-SG	10" Round Box, Round Overlapping Cover - ICV	Black/Green	99	3.00	13.25	20ME
D1100-BDSG	10" Round Box, Round Overlapping Bolt-Down Cover - ICV	Black/Green	99	3.20	14.83	20ME
D1100G-SG	10" Round Box, Round Overlapping Cover - ICV	Green/Green	99	3.00	13.89	20ME
D1100G-BD-SG	10" Round Box, Round Overlapping Bolt-Down Cover - ICV	Green/Green	99	3.20	15.51	20ME
D1100-SP	10" Round Box, Round Overlapping Cover - Reclaimed Water	Black/Purple	99	3.00	16.83	20ME
D1100P-SP	10" Round Box, Round Overlapping Cover - Reclaimed Water	Purple/Purple	99	3.00	20.42	20ME
D1100P-BDSP	10" Round Box, Round Overlapping Bolt-Down Cover - Reclaimed Water	Purple/Purple	99	3.20	24.00	20ME
D1100-SBSWR	10" Round Box, Overlapping Cover - Sewer	Black/Black	99	3.00	13.25	20ME
D1100-SGSWR	10" Round Box, Overlapping Cover - Sewer	Black/Green	99	3.00	13.25	20ME
D1100-BD-SGSWR	10" Round Box, Round Overlapping Bolt-Down Cover - Sewer	Black/Green	99	3.20	14.12	20ME
D1100-BD-SP	10" Round Box, Round Overlapping Bolt-Down Cover - Reclaimed Water	Black/Purple	99	3.20	19.45	20ME
Cover Only						
D1100-SGL	10" Round Overlapping Cover - ICV	Green	350	0.80	4.68	20ME
D1100-SPL	10" Round Overlapping Cover - Reclaimed Water	Purple	350	0.80	4.67	20ME
D1100-SGSWRL	10" Overlapping Cover - Sewer	Green	350	0.80	4.67	20ME
D1100-SBSWRL	10" Overlapping Cover - Sewer	Black	350	0.80	4.67	20ME
D1100-BDSGSWRL	10" Overlapping Bolt-Down Cover Cover - Sewer	Green	350	0.80	5.96	20ME
Box Only						
D1100-B/O	10" Round Box	Black	99	2.20	9.72	20ME
D1100-BD B/O	10" Round Bolt-Down Box	Black	99	2.40	10.65	20ME
D1100P-B/O	10" Round Box	Black	99	2.20	9.72	20ME
D1100P-BDB/O	10" Round Bolt-Down Box	Purple	99	2.40	14.07	20ME
D1100G B/O	10" Round Box	Green	99	2.20	10.19	20ME
D1100G-BD B/O	10" Round Bolt-Down Box	Green	99	2.40	11.70	20ME



DFW by NDS 10" X 15" Rectangular Valve Boxes

Specifications: The DFW by NDS 10"x15"x10" body shall be tapered and have a minimum wall thickness of .13". The body shall have a double wall at the top cover seat area with a minimum thickness of .20". The cover seat area shall have 12 structural support ribs on the underside of the seat, each with a minimum thickness of .130". The bottom of the body shall have a .75" flange. The D1000 cover shall have an average thickness of .187". DFW by NDS D1000 valve boxes and covers are injection molded of structural foam recycled polyolefin material with a melt index between 10-12. Coloring and UV stabilizers are added, along with processing lubricants when needed.

Part Number	Description - Marking	Color (Box/Cover)	Pallet Qty	Weight Ea	List Price Ea	Product Class
Box & Cover						
D1000-SG	10"x15"x10" Box, Drop-in Cover - Valve Box	Black/Green	96	4.80	17.63	20ME
D1000-BD-SG	10"x15"x10" Box, Drop-in Bolt-Down Cover - Valve Box	Black/Green	96	4.90	18.34	20ME
D1000-SBSWR	10"x15"x10" Box, Drop-in Cover - Sewer	Black/Black	96	4.80	16.21	20ME
Cover Only						
D1000-SGL	10"x15" Drop-in Cover - Valve Box	Green	360	1.40	5.84	20ME
D1000-SBSWRL	10"x15" Drop-in Cover - Sewer	Black	360	1.40	5.84	20ME
D1000-BDSG LID	10"x15" Drop-in Bolt-Down Cover - Valve Box	Green	360	1.40	7.53	20ME
Box Only						
D1000-B/O	10"x15"x10" Box	Black	96	3.40	11.34	20ME
D1000-BD B/O	10IN RECT BOLT DOWN BOX	ONLY PLT	96		12.92	20ME



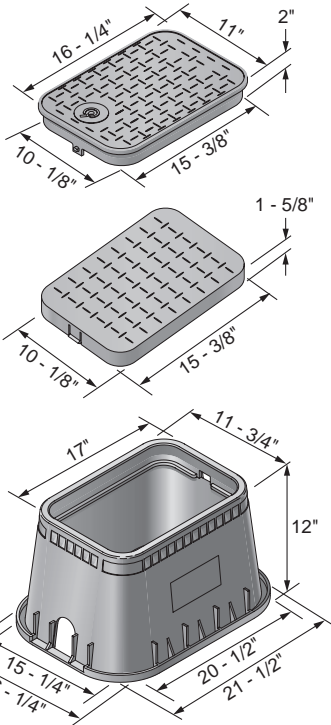
DFW BY NDS VALVE BOXES

RESIDENTIAL GRADE

DFW by NDS 12" X 17" Standard Rectangular Valve Boxes

Specifications: The DFW by NDS 12"x17"x12" body shall be tapered and have a minimum wall thickness of .250". The body shall have a double wall at the top cover seat area with a minimum thickness of .187". The cover seat area shall have 30 structural support ribs on the underside of the seat, each with a minimum thickness of .187". The bottom of the body shall have a .500" flange. The D1200 cover shall have an average thickness of .187". DFW by NDS D1200 valve boxes and covers are injection molded of structural foam recycled polyolefin material with a melt index between 10-12. Coloring and UV stabilizers are added, along with processing lubricants when needed.

Part Number	Description - Marking	Color (Box/Cover)	Pallet Qty	Weight Ea	List Price Ea	Product Class
Box & Cover						
D1200-OLSG	12"x17"x12" Standard Box, Overlapping Cover - ICV	Black/Green	72	9.20	23.28	20ME
D1200-OLLOCG	12"x17"x12" Standard Box, Overlapping Locking Cover - ICV	Black/Green	72	9.20	28.25	20ME
D1200G-DISG	12"x17"x12" Standard Box, Drop-in Cover - ICV	Green/Green	72	9.00	24.31	20ME
D1200G-OLSG	12"x17"x12" Standard Box, Overlapping Cover - ICV	Green/Green	72	9.00	24.31	20ME
D1200G-BDOLSG	12"x17"x12" Standard Bolt-Down Box, Overlapping Bolt-Down Cover - ICV	Green/Green	72	9.60	27.96	20ME
D600E-OLSG	12"x17"x6" Extension, Overlapping Cover - ICV	Black/Green	42	6.60	20.36	20ME
D600E-BD-OLSG	12"x17"x6" Extension, Overlapping Bolt-Down Cover - ICV	Black/Green	42	6.70	21.07	20ME
D600E-OLLOCG	12"x17"x6" Extension, Overlapping Locking Cover - ICV	Black/Green	42	6.70	25.77	20ME
D600PS-OLSG	12"x17"x6" Extension, Overlapping Cover - ICV	Black/Green	42	6.60	19.39	20ME
D1200-DISG	12"x17"x12" Standard Box, Drop-in Cover - ICV	Black/Green	72	9.00	23.28	20ME
D600E-DISG	12"x17"x6" Extension, Drop-in Cover - ICV	Black/Green	42	6.40	20.36	20ME
D1200-BDOLSG	12"x17"x12" Standard Bolt-Down Box, Overlapping Bolt-Down Cover - ICV	Black/Green	72	9.60	25.53	20ME
D600E-BDDISG	12"x17"x6" Extension, Drop-in Bolt-Down Cover - ICV	Black/Green	42	4.25	22.12	20ME
D1200-BD DISG	12"x17"x12" Standard Box, Overlapping Bolt-Down Cover - ICV	Black/Green	72	9.60	24.31	20ME
D1200-OLSP	12"x17"x12" Standard Box, Overlapping Cover - Reclaimed Water	Black/Purple	72	9.20	30.39	20ME
D1200-BD-OLSP	12"x17"x12" Standard Box, Overlapping Bolt-Down Cover - Reclaimed Water	Black/Purple	72	9.20	30.68	20ME
D1200P-BDOLSP	12"x17"x12" Standard Box, Overlapping Bolt-Down Cover - Reclaimed Water	Purple/Purple	72	9.20	32.63	20ME
D1200-DISP	12"x17"x12" Standard Box, Drop-in Cover - Reclaimed Water	Black/Purple	72	9.00	28.94	20ME
D1200P-DISP	12"x17"x12" Standard Box, Drop-in Cover - Reclaimed Water	Black/Purple	72	9.00	32.63	20ME
D1200P-OLSP	12"x17"x12" Standard Box, Overlapping Cover - Reclaimed Water	Purple/Purple	72	9.20	32.63	20ME
D1200P-DIRP	12"x17"x12" Standard Box, Drop-in Cover - Reclaimed Water	Purple/Purple	72	9.00	32.63	20ME
D1200-DISGSWR	12"x17"x12" Standard Box, Drop-in Cover - Sewer	Black/Green	72	9.00	23.28	20ME
D1200-DISBSWR	12"x17"x12" Standard Box, Drop-in Cover - Sewer	Black/Black	72	9.00	22.49	20ME
D1200-BD-DISGE	12"x17"x12" Standard Box, Drop-in Bolt-Down Cover - Electrical	Black/Green	72	9.10	24.31	20ME
D1200-DISG GAS	12"x17"x12" Standard Box, Drop-in Cover - Gas	Black/Green	72	9.00	23.28	20ME
Cover Only						
D1200-OLSG	12"x17" Standard Overlapping Cover - ICV	Green	216	2.40	9.48	20ME
D1200-BDSG LID	12"x17" Standard Overlapping Bolt-Down Cover - ICV	Green	216	2.40	10.59	20ME
D1200-OLLOCG	12"x17" Standard Overlapping Locking Cover - ICV	Green	216	2.40	15.11	20ME
D1200-BD OLSGL	12"x17" Overlapping Bolt-Down Cover - ICV	Green	216	2.40	10.59	20ME
D1200-DISGL	12"x17" Drop-in Cover - ICV	Green	216	2.20	9.48	20ME
D1200-OLSPL	12"x17" Overlapping Cover - Reclaimed Water	Purple	216	2.40	12.10	20ME
D1200-BD-OLSPL	12"x17" Overlapping Bolt-Down Cover - Reclaimed Water	Purple	216	2.40	13.55	20ME
D1200-DISPL	12"x17" Drop-in Cover - Reclaimed Water	Purple	216	2.20	12.10	20ME
D1200-BDSGSWRLD	12"x17" Standard Bolt-Down Drop-in Cover - Sewer	Green	216	2.40	10.59	20ME
D1200-BDSBSRL	12"x17" Standard Bolt-Down Drop-in Cover - Sewer	Black	216	2.40	10.34	20ME
D1200-DISBSWRL	12"x17" Standard Drop-in Cover - Sewer	Black	216	2.20	8.69	20ME
D1200-DISGSWRL	12"x17" Standard Drop-in Cover - Sewer	Green	216	2.20	9.48	20ME
D1200-BDSGELLD	12"x17" Standard Bolt-Down Drop-in Cover - Electrical	Green	216	2.40	10.59	20ME
D1200-OLSXELLD	12"x17" Overlapping Bolt-Down Cover - Electrical	Gray	216	2.40	13.25	20ME
D1200-DISGL GAS	12"x17" Overlapping Cover - Gas	Green	216	2.40	9.48	20ME
Box Only						
D1200-B/O	12"x17"x12" Standard Box	Black	72	6.80	15.80	20ME
D600E-EXT	12"x17"x6" Extension	Black	42	4.20	13.07	20ME
D600E-EXTGREEN	12"x17"x6" Extension	Green	42	4.20	12.55	20ME
D1200-BDB/O	12"x17"x12" Standard Bolt-Down Box	Black	72	7.00	17.44	20ME
D600E-BDEXT	12"x17"x6" Bolt-Down Extension	Black	42	4.25	15.88	20ME
D1200G-B/O	12"x17"x12" Standard Box	Green	72	7.50	15.80	20ME
D1200G-BD B/O	12"x17"x12" Standard Bolt-Down Box	Green	72	7.50	18.24	20ME
D1200P-B/O	12"x17"x12" Standard Box	Purple	72	6.80	15.80	20ME
D1200P-BDB/O	12"x17"x12" Standard Bolt-Down Box	Purple	72	6.80	17.44	20ME
D600PS B/O	12"x17"x6" Extension	Black	42	4.20	12.44	20ME



DFW BY NDS VALVE BOXES

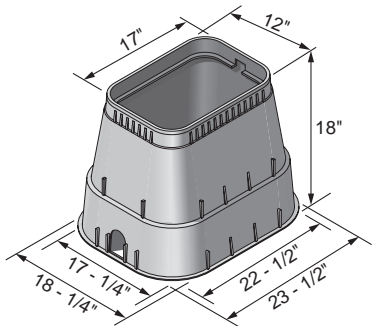
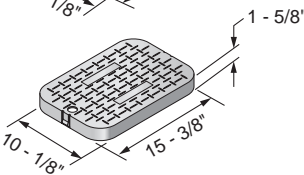
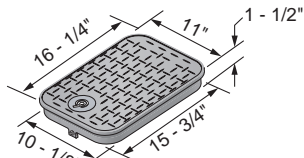
RESIDENTIAL GRADE

DFW by NDS 12"x17"x18" Valve Boxes

Specifications: DFW by NDS 12"x17"x18" valve boxes and covers are injection molded of structural foam recycled polyolefin material with a melt index between 10-12. Coloring and UV stabilizers are added, along with processing lubricants when needed.

The 12"x17"x18" body shall be tapered and have a minimum wall thickness of .250". The body shall have a double wall at the top cover seat area with a minimum thickness of .220". The cover seat area shall have 26 structural support ribs on the underside of the seat, each with a minimum thickness of .120". The bottom of the body shall have a .500" flange. The 12"x17" cover shall have an average thickness of .187".

Part Number	Description - Marking	Color (Box/Cover)	Pallet Qty	Weight Ea	List Price Ea	Product Class
Box & Cover						
D1800-OLSG	12"x17"x18" Box, Overlapping Cover - ICV	Black/Green	48	12.40	41.51	20ME
D1800-DISG	12"x17"x18" Box, Drop-in Cover - ICV	Black/Green	48	12.20	41.51	20ME
D1800-OLLOCSB	12"x17"x18" Box, Overlapping Bolt-Down Cover - ICV	Black/Black	48	12.60	47.10	20ME
Cover Only						
D1200-OLSG	12"x17" Standard Overlapping Cover - ICV	Green	216	2.40	9.48	20ME
D1200-BD OLSGL	12"x17" Overlapping Bolt-Down Cover - ICV	Green	216	2.40	10.59	20ME
D1200-DISGL	12"x17" Drop-in Cover - ICV	Green	216	2.20	9.48	20ME
D1200-OLSPL	12"x17" Overlapping Cover - Reclaimed Water	Purple	216	2.40	12.10	20ME
D1200-DISPL	12"x17" Drop-in Cover - Reclaimed Water	Purple	216	2.20	12.10	20ME
D1200-BDSBSRL	12"x17" Standard Bolt-Down Drop-in Cover - Sewer	Black	216	2.40	10.34	20ME
D1200-DISBSWRL	12"x17" Standard Drop-in Cover - Sewer	Black	216	2.20	8.69	20ME
D1200-DISGSWRL	12"x17" Standard Drop-in Cover - Sewer	Green	216	2.20	9.48	20ME
Box Only						
D1800-B/O	12"x17"x18" Box	Black	48	10.00	32.33	20ME



DFW BY NDS VALVE BOXES

RESIDENTIAL GRADE

DFW by NDS 13" X 20" Jumbo Rectangular Valve Boxes

Specifications: DFW by NDS 13"x20"x12" valve boxes and covers are injection molded of structural foam recycled polyolefin material with a melt index between 10-12. Coloring and UV stabilizers are added, along with processing lubricants when needed.

The 13"x20"x12" body shall be tapered and have a minimum wall thickness of .250". The body shall have a double wall at the top cover seat area with a minimum thickness of .187". The cover seat area shall have 30 structural support ribs on the underside of the seat, each with a minimum thickness of .187". The bottom of the body shall have a 1.000" flange. The 13"x20" cover shall have an average thickness of .187".

	Part Number	Description - Marking	Color (Box/Cover)	Pallet Qty	Weight Ea	List Price Ea	Product Class
	Box & Cover						
	D1500-OLSG	13"x20"x12" Jumbo Box, Overlapping Cover - ICV	Black/Green	48	13.20	48.63	20ME
	D750E-OLSG	13"x20"x6" Jumbo Box, Overlapping Cover - ICV	Black/Green	28	9.40	32.21	20ME
	D750 PS DISG	13"x20"x6" Extension, Overlapping Cover - ICV	Black/Green	28	5.60	30.68	20ME
	D1500G-OLSG	13"x20"x12" Jumbo Box, Overlapping Cover - ICV	Green/Green	48	13.20	50.94	20ME
	D1500G-BDOLSG	13"x20"x12" Jumbo Bolt-Down Box, Overlapping Bolt-Down Cover - ICV	Green/Green	48	13.40	55.24	20ME
	D1500-BDOLSG	13"x20"x12" Jumbo Bolt-Down Box, Overlapping Bolt-Down Cover - ICV	Black/Green	48	13.40	50.20	20ME
	D750E-BDOLSG	13"x20"x6" Jumbo Bolt-Down Box, Overlapping Bolt-Down Cover - ICV	Black/Green	28	9.20	33.92	20ME
	D1500-DISG	13"x20"x12" Jumbo Box, Drop-in Cover - ICV	Black/Green	48	13.20	48.63	20ME
	D750E-DISG	13"x20"x6" Jumbo Box, Drop-in Cover - ICV	Black/Green	28	9.40	32.21	20ME
	D1500-BDDISG	13"x20"x12" Jumbo Bolt-Down Box, Drop-in Bolt-Down Cover - ICV	Black/Green	48	13.40	50.20	20ME
	D750E-BDDISG	13"x20"x6" Jumbo Bolt-Down Box, Drop-in Bolt-Down Cover - ICV	Black/Green	28	9.20	33.92	20ME
	D1500-BDDISP	13"x20"x12" Jumbo Bolt-Down Box, Drop-in Bolt-Down Cover - ICV	Black/Purple	48	13.40	56.78	20ME
	D1500-DUDISG	13"x20"x12" Jumbo Box W/Dual Pipe Slots, 13"x20" Drop-in Cover - ICV	Black/Green	48	13.50	50.20	20ME
	D1500-PBDOLSG	13"x20"x12" Jumbo Bolt-Down Box, Overlapping Penta-Bolt-Down Cover - ICV	Black/Green	48	13.40	51.89	20ME
D1500-DISBSWR	13"x20"x12" Jumbo Box, Drop-in Cover - Sewer	Black/Black	48	13.20	48.63	20ME	
D1500-DISG GAS	13"x20"x12" Jumbo Box, Drop-in Cover - Gas	Black/Green	48	13.20	48.63	20ME	
Cover Only							
D1500-OLSGL	13"x20" Overlapping Cover - ICV	Green	96	3.80	17.37	20ME	
D1500-BD-OLSGL	13"x20" Overlapping Bolt-Down Cover - ICV	Green	96	3.80	17.37	20ME	
D1500-DISGL	13"x20" Drop-in Cover - ICV	Green	96	3.80	18.23	20ME	
D1500-BDSGL	13"x20" Overlapping Bolt-Down Cover - ICV	Green	96	3.80	21.15	20ME	
D1500-DISPL	13"x20" Drop-in Cover - ICV	Purple	96	3.80	23.22	20ME	
D1500-BDDISPL	13"x20" Drop-in Bolt-Down Cover - ICV	Purple	96	3.80	24.80	20ME	
D1500-DISBSWRL	13"x20"x12" Jumbo Drop-in Cover - Sewer	Black	96	3.80	18.23	20ME	
D1500-DISGL GAS	13"x20" Drop-in Cover - Gas	Green	96	3.80	18.23	20ME	
Box Only							
D1500-DUB/O	13"x20"x12" Jumbo Box W/Dual Pipe Slots	Black	48	8.91	31.30	20ME	
D1500-B/O	13"x20"x12" Jumbo Box	Black	48	9.40	31.30	20ME	
D1500G-B/O	13"x20"x12" Jumbo Box	Green	48	9.40	32.77	20ME	
D750E-EXT	13"x20"x6" Extension	Black	36	5.60	18.84	20ME	
D1500-BDB/O	13"x20"x12" Jumbo Bolt-Down Box	Black	48	9.60	32.88	20ME	
D750-BD B/O	13"x20"x6" Bolt-Down Extension	Black	36	5.60	19.57	20ME	
D750PS B/O	13"x20"x6" Extension	Purple	36	5.60	17.94	20ME	

DFW BY NDS VALVE BOXES

RESIDENTIAL GRADE

DFW by NDS 8" X 12" Oval Valve Boxes

Specifications: DFW by NDS 8"x12" oval valve boxes and covers are injection molded of structural foam recycled polyolefin material with a melt index between 10-12.

Coloring and UV stabilizers are added, along with processing lubricants when needed.

The 8"x12" body shall be tapered and have a minimum wall thickness of .187". The body shall have a double wall at the top cover seat area with a minimum thickness of .200". The cover seat area shall have 10 structural support ribs on the underside of the seat, each with a minimum thickness of .150". The bottom of the body shall have a .375" flange. The 8"x12" cover shall have an average thickness of .150".

	Part Number	Description - Marking	Color (Box/Cover)	Pallet Qty	Weight Ea	List Price Ea	Product Class
	Box & Cover M2-SG	8"x12" Box, Drop-in Cover - Control Valve	Black/Green	132	4.00	12.52	20ME
	Cover Only M2-SG-LID	8"x12" Drop-in Cover - Control Valve	Green	132	0.80	4.22	20ME
	Box Only M2-B/O	8"x12" Box	Black	132	3.00	9.12	20ME

DFW by NDS 8" X 14" Oval Valve Boxes

Specifications: DFW by NDS 8"x14" oval valve boxes and covers are injection molded of structural foam recycled polyolefin material with a melt index between 10-12.

Coloring and UV stabilizers are added, along with processing lubricants when needed.

The 8"x14" body shall be tapered and have a minimum wall thickness of .187". The body shall have a double wall at the top cover seat area with a minimum thickness of .200". The cover seat area shall have 10 structural support ribs on the underside of the seat, each with a minimum thickness of .150". The bottom of the body shall have a .375" flange. The 8"x14" cover shall have an average thickness of .150".

	Part Number	Description - Marking	Color (Box/Cover)	Pallet Qty	Weight Ea	List Price Ea	Product Class
	Box & Cover M4-SG	8"x14" Box, Drop-in Cover - Control Valve	Black/Green	96	4.60	16.65	20ME
	M4-SB	8"x14" Box, Drop-in Cover - Control Valve	Black/Black	96	4.60	16.11	20ME
	Cover Only M4-SGL	8"x14" Drop-in Cover - Control Valve	Green	96	0.80	6.08	20ME
	M4-SBL	8"x14" Drop-in Cover - Control Valve	Black	96	0.80	5.53	20ME
	Box Only M4-B/O	8"x14" Box	Black	96	3.80	11.31	20ME

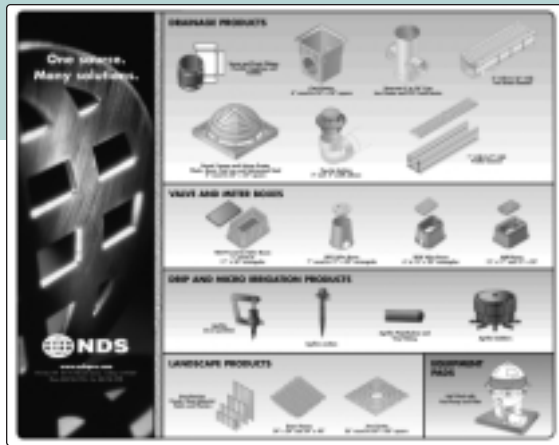
MARKETING MATERIALS

NDS provides top of the line marketing materials to promote all of our product lines. From effective point of sale materials, to smart, informational catalogs and manuals, you will find what you are looking for to help support your marketing efforts.



www.NDSPRO.com

From installation details to online catalogs to educational materials, NDSPRO.com is your one source for all information needed in order to use and specify NDS products.



Counter Pad

A counter pad displaying the range of products available from NDS, including a brief description. Size is 16"x20".



Specification Binder

Binder containing the Drainage Catalog, Landscape Catalog, Valve and Meter Box Catalog, NDS Price List, and Technical Manuals. Distributed to architects and engineers.