

# BA-450/450S

# 3/8" - 2"

**BRONZE BALL VALVE**  
**TWO-PIECE, FULL-PORT**  
 600 PSIG WOG / 150 PSIG SWP \*  
 SOLDER ENDS

MSS SP-110

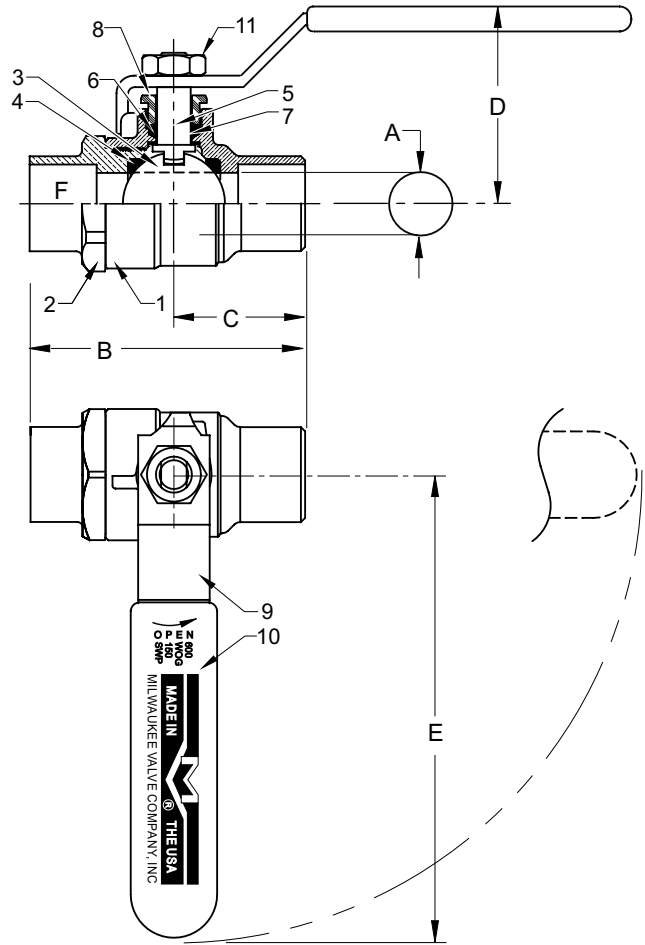
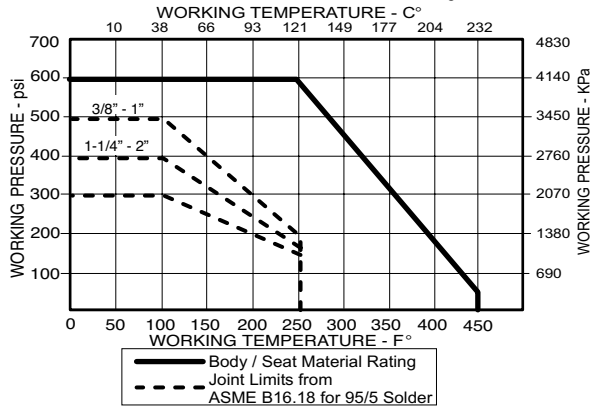
## MATERIALS LIST

ITEM	PART	MODEL	MATERIALS	ASTM SPEC.
1	Body	450 & 450S	Cast Bronze	B584
2	Tailpiece	450 & 450S	Brass	B16
			Cast Bronze (1" & up)	B584
3	Ball	450	Brass w/ Hard Chrome Plating	B16
			450S	316 Stainless Steel
4	Seat	450 & 450S	RPTFE, 15% Glass Filled	
5	Stem	450	Brass	B16
			450S	316 Stainless Steel
6	Thrust Washer	450 & 450S	RPTFE, 25% Glass Filled	
7	Packing	450 & 450S	PTFE	
8	Packing Nut	450 & 450S	Brass	B16
9	Handle	450 & 450S	Steel w/ Zinc Plating	B633
10	Hand Grip	450 & 450S	Vinyl	
11	Handle Nut	450 & 450S	Steel w/ Zinc Plating	B633

\* Please consult factory for more information regarding steam applications.

## PRESSURE - TEMPERATURE DATA

VALVES RATED FOR VACUUM SERVICE TO 29 INCHES Hg.



## DIMENSIONS

	UNITS	3/8"	1/2"	3/4"	1"	1-1/4"	1-1/2"	2"
		DN10	DN15	DN20	DN25	DN32	DN40	DN50
A (DIA)	INCHES	0.38	0.50	0.76	1.00	1.26	1.50	2.01
	mm	9.3	12.3	19.3	25.2	32.0	38.1	51.1
B	INCHES	2.10	2.39	3.17	3.75	5.00	6.00	6.75
	mm	51.5	58.6	80.5	95.3	127.0	152.4	171.5
C	INCHES	1.00	1.32	1.74	1.95	2.49	3.00	3.37
	mm	25.4	33.6	44.2	49.6	63.3	76.2	85.6
D	INCHES	1.80	1.87	2.19	2.67	2.82	2.99	3.51
	mm	44.1	46.3	55.6	67.8	71.6	75.9	89.2
E	INCHES	3.80	3.80	4.56	6.31	6.31	6.31	7.19
	mm	96.5	96.5	115.8	160.3	160.3	160.3	182.6
F	TUBE SIZE Ø	.51	.63	.88	1.13	1.38	1.63	2.13
Cv		7	15	35	60	110	185	360

Note: DN (Diameter Nominal) = Metric equivalent size.

The information presented on this sheet is correct at the time of publication. Milwaukee Valve reserves the right to change design, and/or material specifications without notice. For the most current information access [www.milwaukeevalve.com](http://www.milwaukeevalve.com)

