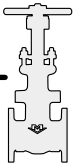


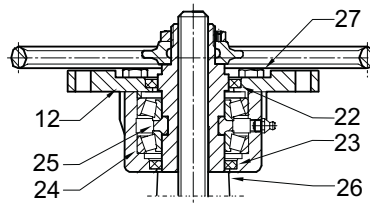
GATE CLASS 600

2" - 12"

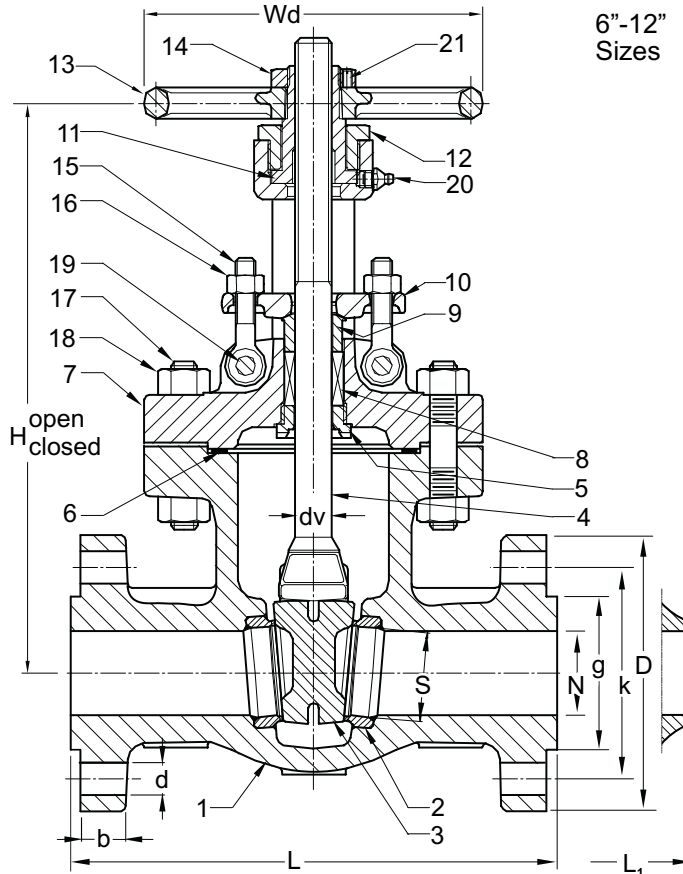


Specifications	
Design	API 600, ASME B 16.34
P-T Rating	ASME B 16.34
Face to Face	ASME B 16.10
Connection	ASME B 16.5, 16.25
Test & Inspection	API 598, RP 591

6050CB2 FLANGED ENDS
6053CB2 BUTT WELD ENDS



2"-4" Sizes



6"-12" Sizes

Key	Part	ASTM Material Specification
Unless otherwise specified		
1	Body	A 216 Gr WCB
2	Seat Ring / Facing	A 105 / Co-Cr-W Face A 216 Gr WCB / Co-Cr-W Face
3	Wedge	2"- 6" A 182 Gr F6a or A216 Gr WCB / 13% Cr Face
		8"- 12" A 216 Gr WCB / 13% Cr Face
4	Stem	A 182 Gr F6a
5	Backseat Bushing	A 276 Type 410
6	Gasket	Spiral Wound S/S w/ Graphite
7	Bonnet	A 216 Gr WCB
8	Packing	Graphoil w/ Braided Rings
9	Gland	A 182 Gr F6a
10	Gland Flange	A 105
11	Yoke Nut	A 439 Type D2
12	Yoke Bushing	2"- 4" A 536 Gr 65-45-12
	Yoke Cap Back	6"-12" A 216 Gr WCB
13	Handwheel	A 47 Gr 32510
14	Handwheel Nut	A 47 Gr 32510
15	Gland Eyebolt	Carbon Steel
16	Gland Eyebolt Nut	A 307 Gr B
17	Body Bonnet Stud Bolt	A 193 Gr B7
18	Body Bonnet Stud Nut	A 194 Gr 2H
19	Gland Eyebolt Pin	Carbon Steel
20	Grease Fitting	Carbon Steel
21	Set Screw	Carbon Steel
22	Gasket	Carbon Steel
23	Gasket	Carbon Steel
24	Bearing	6"-12" Commercial
25	Bearing Ring	Carbon Steel
26	Yoke	6"-12" A 216 Gr WCB
27	Bolt	Carbon Steel

CS08matls.xls

GENERAL DIMENSIONS

Size	Port		Line Flange					Raised Face Dia.	Face to Face BW L=L1	Height		Stem	Line Flange Bolts		Turns to Open	Hand-wheel Wd	Weight Approx.
	N	S	D	b	k	d	H			H	Quantity		Size				
NPS	INCHES (mm)	INCHES (mm)	INCHES (mm)	INCHES (mm)	INCHES (mm)	INCHES (mm)	INCHES (mm)	INCHES (mm)	INCHES (mm)	INCHES (mm)	INCHES (mm)	INCHES (mm)	INCHES (metric)		INCHES (mm)	lbs (kg)	
2	2.00	2.11	6.50	1.00	5.00	0.75	3.62	11.50	18.72	15.77	0.88	8	5/8	10.3	9.00	103	
	50.8	53.6	165.1	25.4	127.0	19.1	91.9	292.1	475.5	400.6	22.2						
2-1/2	2.50	2.58	7.50	1.12	5.88	0.89	4.12	13.00	18.90	15.77	0.88	8	3/4	10.3	10.00	139	
	63.5	65.5	190.5	28.4	149.4	22.6	104.6	330.2	480.1	400.6	22.2						
3	3.00	3.07	8.25	1.25	6.62	0.88	5.00	14.00	23.30	19.29	1.00	8	3/4	11.8	10.00	172	
	76.2	78.0	209.6	31.8	168.1	22.4	127.0	355.6	591.8	490.0	25.4						
4	4.00	4.09	10.75	1.50	8.50	1.00	6.19	17.00	28.97	24.22	1.25	8	7/8	9.5	14.00	317	
	101.6	103.9	273.1	38.1	215.9	25.4	157.2	431.8	735.8	615.2	31.8						
6	6.00	6.24	14.00	1.88	11.50	1.12	8.50	22.00	38.03	31.33	1.50	12	1	13.4	18.00	704	
	152.4	158.5	355.6	47.8	292.1	28.4	215.9	558.8	966.0	795.8	38.1						
8	7.88	8.11	16.50	2.19	13.75	1.25	10.62	26.00	46.77	38.08	1.75	12	1 1/8	17.4	20.00	1153	
	200.2	206.0	419.1	55.6	349.3	31.8	269.7	660.4	1188.0	967.2	44.5						
10	9.75	10.00	20.00	2.50	17.00	1.38	12.75	31.00	58.20	47.20	1.88	16	1 1/4	19.3	27.00	1540	
	247.7	254.0	508.0	63.5	431.8	35.1	323.9	787.4	1478.3	1198.9	47.6						
12	11.75	12.00	22.00	2.62	19.25	1.38	15.00	33.00	66.90	53.90	2.00	20	1 1/4	22.7	27.00	2068	
	298.5	304.8	558.8	66.5	489.0	35.1	381.0	838.2	1699.3	1369.1	50.8						

The information presented on this sheet is correct at the time of publication. Milwaukee Valve reserves the right to change design, and/or material specifications without notice. For the most current information access www.milwaukeevalve.com.



MILWAUKEE VALVE