

30 Series SS/CS

1/4"-2"

**3PC., NPT or SOCKET WELD END,
FULL PORT BALL VALVE,
STAINLESS or CARBON STEEL**

Specifications:
WW-V 35, Class A, C, & D, 1, A,
MSS SP-110

- Sizes 1/4"-2"
- Pressure Rating 1000 WOG / 150 WSP
- Temperature Range -20°F to 450°F.
- Body Material WCB or CF8M. All body and tailpiece materials meet ASTM specifications
- RPTFE Seats Standard
- Three Piece Construction
- Chevron Style PTFE Stem Packing
- Blow-out Proof Stem
- Low Torque Seats
- Standard Locking Handle, Oval Available
- Standard Actuator Mounting Pads

MATERIALS LIST

ITEM	PART	30CCOF	30CSOF	30SSOF
1	Body	Carbon Steel ASTM A216, WCB		Stainless Steel ASTM A351-CF8M or T-316
2	End Cap			Stainless Steel ASTM A351/744, CF3M or T-316L
3	Stem	Carbon Steel AISI-12L14		
4	Ball	Carbon Steel AISI 12L14 Chrome Plated ASTM B456-95, 2,SC1		Stainless Steel ASTM A276, T-316
5	Handle Nut	Low Carbon Steel Zinc Plated		Stainless Steel 18-8
6	Handle Assembly	AISI 1010 Steel Zinc Plated		
7	Lock Washer	Carbon Steel, Plated		Stainless Steel T-304
8	Packing Nut	Carbon Steel AISI-12L14		Stainless Steel ASTM A276, T-316
9	Body Cap Screw	SAE J429 Gr. 8, Zinc Plated		Stainless Steel ASTM F593, T-304
10	Body Nut			Stainless Steel ASTM F594, T-304
11	Seat (-02)	15% Glass Filled RTFE		
12	Thrust Washer	PTFE		
13	Stem Packing			

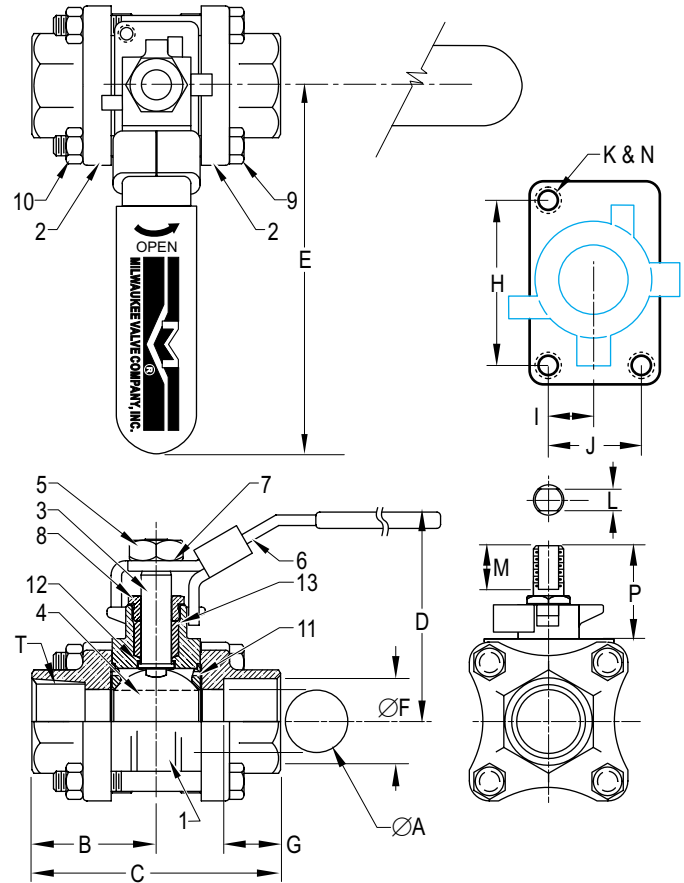
DIMENSIONS

	UNITS	1/4"	3/8"	1/2"	3/4"	1"	1-1/4"	1-1/2"	2"
		DN07	DN10	DN15	DN20	DN25	DN32	DN40	DN50
ØA	INCHES	0.48	.50	0.69	.75	1.00	1.25	1.50	2.00
	mm	12.2	12.7	17.5	19.1	25.4	31.8	38.1	50.8
B	INCHES	1.28	1.28	1.40	1.72	1.94	1.38	2.65	3.05
	mm	32.5	32.5	35.6	43.7	49.3	35.1	67.3	77.5
C	INCHES	2.56	2.56	2.81	3.44	3.87	4.75	5.24	6.10
	mm	65.0	65.0	71.4	87.4	98.3	120.7	133.1	154.9
D	INCHES	1.83	1.83	2.52	2.79	2.93	3.18	3.37	3.60
	mm	46.5	46.5	64.0	70.9	74.4	80.8	85.6	91.4
E	INCHES	3.88	3.88	5.88	5.88	5.88	7.75	7.75	7.75
	mm	98.6	98.6	149.4	149.4	149.4	196.9	196.9	196.9
ØF	INCHES			0.72	0.92	1.16	1.50	1.74	2.22
	mm			18.3	23.4	29.5	38.1	44.2	56.4
G	INCHES			0.38	0.50	0.50	0.50	0.50	0.62
	mm			9.7	12.7	12.7	12.7	12.7	15.7
H	INCHES	1.12	1.12	1.58	1.58	1.58	1.46	1.63	2.25
	mm	28.4	28.4	40.1	40.1	40.1	37.1	41.4	57.2
I	INCHES			0.32	0.32	0.32	0.56	0.76	1.05
	mm			8.1	8.1	8.1	14.2	19.3	26.7
J	INCHES			0.64	0.64	0.64	1.13	1.53	2.10
	mm			16.3	16.3	16.3	28.7	38.9	53.3
K	THREAD SIZE	10-24				1/4-20			
L	INCHES	1.97	1.97	0.28	0.28	0.28	0.36	0.36	0.36
	mm	50.0	50.0	7.0	7.0	7.0	9.0	9.0	9.0
M	INCHES	0.33	0.33	0.51	0.51	0.51	0.60	0.61	0.61
	mm	8.4	8.4	13.0	13.0	13.0	15.2	15.4	15.4
N	NUMBER OF HOLES	2.00		3.00			4.00		
P	INCHES	0.95	0.95	1.25	1.25	1.25	1.38	1.50	1.50
	mm	24.0	24.0	31.8	31.8	31.8	34.9	38.1	38.1
Wt.	Lb.			1.5	2.5	3.3	5.2	7.3	11.9
	Kilos			3.4	5.5	7.2	11.6	16.1	26.3
T	THREAD SIZE	1/4"	3/8"	1/2"	3/4"	1"	1-1/4"	1-1/2"	2"
		NPT	NPT	NPT	NPT	NPT	NPT	NPT	NPT
Cv		9	9	10	31	49	85	110	360
Torque (in/lbs)		30	30	50	70	70	125	210	360

Note: DN (Diameter Nominal) = Metric equivalent size.

ØF & G Socket Weld Size

The information presented on this sheet is correct at the time of publication. Milwaukee Valve reserves the right to change design, and/or material specifications without notice. For the most current information access www.milwaukeevalve.com.



PRESSURE - TEMPERATURE DATA

VALVES RATED FOR VACUUM SERVICE TO 29 INCHES Hg.
WORKING TEMPERATURE - °C

