

20 Series SS/CS

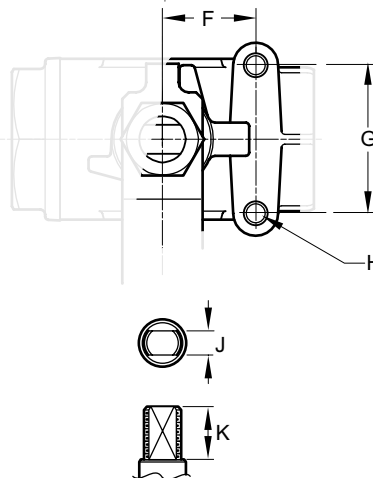
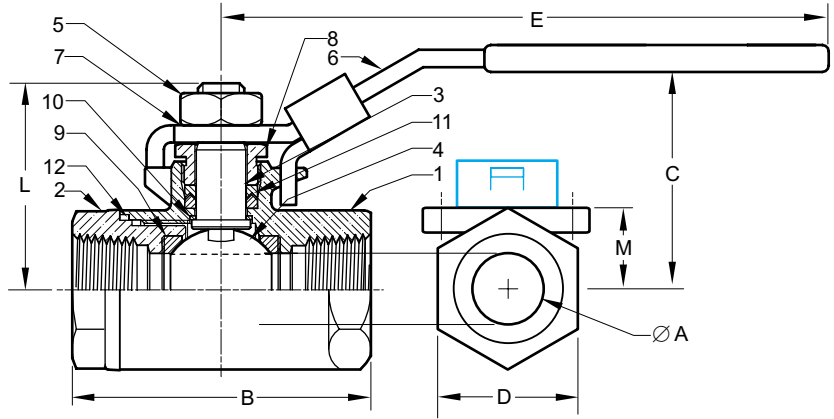
1/4" - 2"

- All ASTM Grade Materials
- Standard Port Design
- Low Operating Torque
- Chevron Style Stem Packing
- Locking Oval or Lever Handle Available
- Full Depth N.P.T. Threads
- Standard Actuator Mounting Pads
- Designed per MSS SP 110

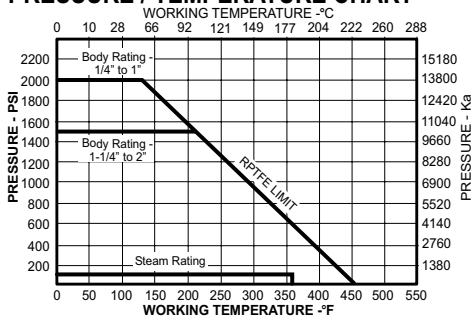
Specifications: MSS SP110

MATERIALS

Item	Part Name	20SSOR-02	20CSOR-02
1	Body	Stainless Steel ASTM A351/A744 CF8M	Carbon Steel ASTM A216 WCB
2	Tailpiece		
3	Stem	Stainless Steel ASTM A276 Type 316	
4	Ball		
5	Handle Nut	Stainless Steel Type 18-8	
6	Handle	Stainless Steel Type 304	
7	Lock Washer		
8	Packing Nut	Stainless Steel ASTM A276 Type 316	Carbon Steel AISI 12L14
9	Seat (-02)	15% Glass Filled PTFE	
10	Thrust Washer		
11	Packing	PTFE	
12	Body Seal		



PRESSURE / TEMPERATURE CHART



TORQUE RATINGS and FLOW CO-EFFICIENT

VALVE SIZE	RECOMMENDED ACTUATOR TORQUE at MAXIMUM VALVE PRESSURE in. lbs. (Nm)	Cv
1/4 & 3/8	20	6.8
	2.26	
1/2	40	9.8
	4.52	
3/4	50	25
	5.65	
1	100	35
	11.30	
1-1/4	140	47
	15.82	
1-1/2	190	81
	21.47	
2	240	105
	27.12	

DIMENSIONS

NPS		A	B	C	D	E	F	G	H	J	K	L	M
1/4	IN.	0.38	2.09	1.65	.82	4.19	.50	1.12	10-24NC	.196	.390	0.88	.410
	mm	9.5	53.1	41.9	20.8	106.3	12.7	28.4		5.0	9.9	22.2	10.4
3/8	IN.	0.38	2.09	1.65	.82	4.19	.50	1.12	10-24NC	.196	.390	0.88	.410
	mm	9.5	53.1	41.9	20.8	106.3	12.7	28.4		5.0	9.9	22.2	10.4
1/2	IN.	0.50	2.36	1.77	1.06	4.19	.50	1.12	10-24NC	.196	.390	1.00	0.570
	mm	12.7	59.9	45.0	26.9	106.3	12.7	28.4		5.0	9.9	25.4	14.5
3/4	IN.	0.69	2.80	2.05	1.34	5.75	.87	1.37	10-24NC	.275	.560	1.25	.750
	mm	17.4	71.1	52.1	34.0	146.1	22.1	34.8		7.0	14.2	31.8	19.1
1	IN.	0.88	3.23	2.24	1.62	5.75	.87	1.37	10-24NC	.275	.560	1.25	0.910
	mm	22.2	82.0	56.9	41.1	146.1	22.1	34.8		7.0	14.2	31.8	23.1
1-1/4	IN.	1.00	3.62	2.48	1.88	7.63	.93	1.50	1/4-20NC	.355	.650	1.38	1.050
	mm	25.4	91.9	63.0	47.8	193.7	23.6	38.1		9.0	16.5	34.9	26.7
1-1/2	IN.	1.25	4.06	2.68	2.25	7.63	.93	1.50	1/4-20NC	.355	.650	1.38	1.250
	mm	31.8	103.1	68.1	57.2	193.7	23.6	38.1		9.0	16.5	34.9	31.8
2	IN.	1.50	4.65	2.91	2.75	7.63	.93	1.50	1/4-20NC	.355	.650	1.38	1.520
	mm	38.1	118.1	73.9	69.9	193.7	23.6	38.1		9.0	16.5	34.9	38.6

Milwaukee Valve Company

1175 South Burrell Street
 Milwaukee, Wisconsin 51107-5140
 Telephone 414-744-5140
 Fax 414-744-5840

The information presented on this sheet is correct at the time of publication. Milwaukee Valve reserves the right to change design, and/or material specifications without notice. For the most current information, access www.milwaukeevalve.com.

20ser_SS_rev0.CDR

MILWAUKEE VALVE

