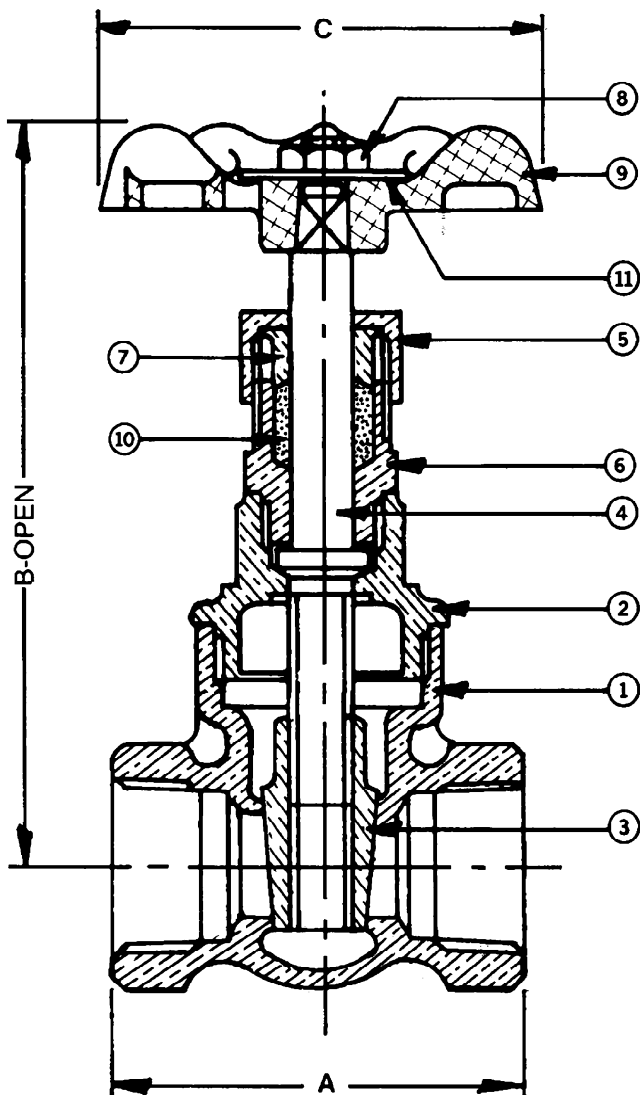


GATE 105 BRONZE

125 lb. SWP-200 lb. WOG† • General Service
Solid Wedge Disc • Non-Rising Stem
Threaded Bonnet • Gland Packed
Threaded Ends



SPECIFICATIONS

105	Conforms to: MSS SP-80, Type 1, Class 125, Threaded Ends.
-----	--

MATERIAL LIST

NO.	PART	MATERIAL	SPECIFICATION
1	Body	Bronze	ASTM B 62
2	Bonnet	Bronze	ASTM B 62
3	Wedge	Bronze	ASTM B 62
4	Stem	Bronze	ASTM B 62
5	Stuff Nut	Rod Br.	CA 360
6	Check Nut	Rod Br.	CA 360
7 ¹	Gland	Rod Br.	CA 360
8	Wheel Nut	Brass	Commercial
9	Handwheel	Mall. Iron	Commercial
10	Packing	Non-Asbestos	
11	Name Plate	Sh. Alum.	Commercial

¹ Not used on 1/2" and smaller.

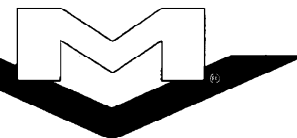
DIMENSIONS-INCHES

SIZE	A	B	C
1/4	1 3/4	3 9/16	2
3/8	1 13/16	3 9/16	2
1/2	2	3 9/16	2
3/4	2 1/8	4 3/4	2 1/2
1	2 9/16	5	2 3/4
1 1/4	2 11/16	5 7/8	3 1/8
1 1/2	2 13/16	6 1/2	3 1/2
2	3 5/16	7 1/16	3 3/4
2 1/2	4 3/16	9 1/8	4 3/4
3	4 5/8	10 3/8	5 1/4

†Non-Shock

1/91

INNOVATION IN EVERY VALVE



MILWAUKEE VALVE