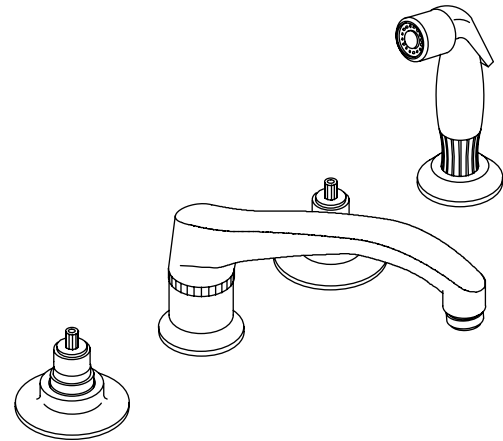


**KITCHEN SINK BASE FAUCET
K-7765-K
ALSO K-7761-K**

Features

- Brass construction
- Brass valve bodies
- Quarter-turn washerless ceramic disc valves
- 2.2 gallons (8.3 L) per minute maximum flow rate
- Lower flow aerator options are available (refer to the Kohler Price Book)
- Variety of handle style options
- Available with or without handspray
- For 8" (20.3 cm) centers
- 8-1/8" (20.6 cm) swing spout



Codes/Standards Applicable

Specified model meets or exceeds the following:

- ASME A112.18.1/CSA B125.1
- Energy Policy Act of 1992
- NSF 61

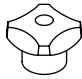
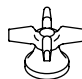
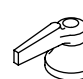

Colors/Finishes

- CP: Polished Chrome

Accessories

- CP: Polished Chrome
- NA: None applicable

Specified Model

Model	Description	Colors/Finishes			
K-7765-K	Kitchen sink faucet with handspray	<input type="checkbox"/> CP			
K-7761-K	Kitchen sink faucet without handspray	<input type="checkbox"/> CP			
Required Accessories (Includes Two Handles)					
K-16012-2	Standard handles OR	<input type="checkbox"/> CP			
K-16012-3	Cross handles OR		<input type="checkbox"/> CP		
K-16012-4	Lever handles OR			<input type="checkbox"/> CP	
K-16012-5	Wristblade lever handles				<input type="checkbox"/> CP

Product Specification

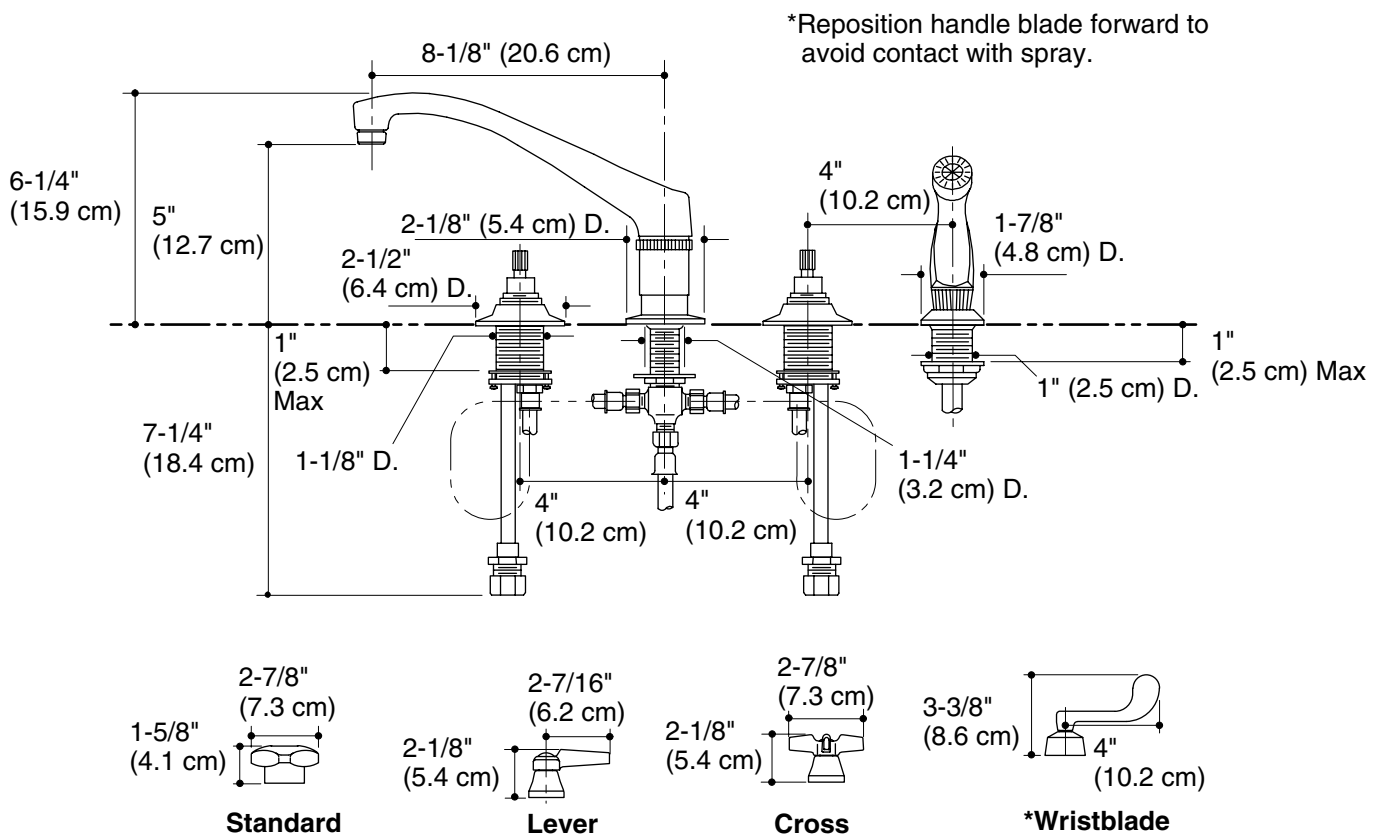
Two-handle kitchen sink base faucet shall be of brass construction. Faucet shall feature brass valve bodies. Faucet shall feature quarter-turn washerless ceramic disc valves, assuring positive handle stop positioning. Faucet shall be rated at 2.2 gallons (8.3 L) per minute. Faucet shall have lower flow aerator options. Faucet shall include 8" (20.3 cm) centers and an 8-1/8" (20.6 cm) swing spout. Faucet shall be available with a variety of handle style options and an optional white handspray. Faucet shall be Kohler Model K-_____-K-CP and handles shall be Kohler Model K-16012-_____-CP.

TRITON®

Optional Accessories		
77619	Deep roughing-in kit for 2-handle (only) kitchen faucets	<input type="checkbox"/> NA
1011402	Sidespray deep roughing-in kit	<input type="checkbox"/> NA
1160595	Medium Spray 0.35 gpm (1.32 lpm) – Insert only	<input type="checkbox"/> NA
_____	Additional flow options are available (refer to the Price Book)	<input type="checkbox"/> NA

Installation Notes

Install this product according to the installation guide.



Product Diagram