

# DRYCONN™

## WATERPROOF CONNECTORS

### OUTDOOR/IRRIGATION SPEC SHEET - GRAY

FOR IRRIGATION SYSTEMS AND LANDSCAPE LIGHTING APPLICATIONS

#### KO - GRAY

#### PRODUCT SPECIFICATIONS

MAX. VOLTAGE: 300V-600V (1,000V in fixtures and signs)

SIZE: 7/16" x 27/32"

WIRE COMBINATIONS: Copper/Copper

WIRE RANGE: Min. #22 / Max. #12

TEMPERATURE RATING: 105°C (221°F)

SILICONE SEALANT: -45°F to 400°F

PERFORMANCE TESTING:

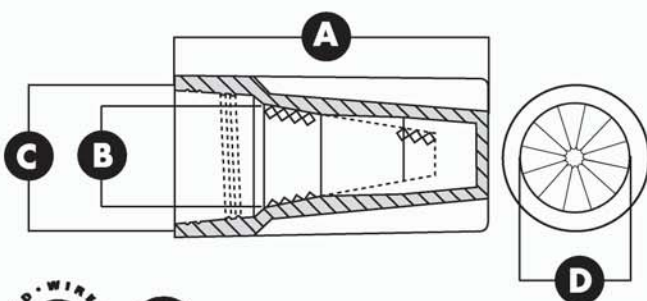
- UL 50 tested for watertight/raintight applications
- UL listed and CSA certified as a Pressure Type Connector



KO - GRAY

#### MEASUREMENTS (INCHES)

A - 0.844 B - 0.250 C - 0.438 D - 0.313



Suitable for low voltage applications.

#### WIRE COMBINATIONS

See complete listing on reverse.

#### INSTALLATION INSTRUCTIONS



**IMPORTANT:** Turn off power before installing or removing connector. Product to be used in accordance with local and national codes.

1. Strip #22-18 wires 1/2" and #16-12 wires 3/8".
2. Align frayed strands or conductors.
3. Do not pre-twist. Place stripped wires together with ends even, but lead stranded wire slightly.
4. Twist connectors onto wires pushing firmly until hand-tight. DO NOT over torque.
5. Swipe excess sealant in and around conductors. DO NOT REUSE.



**KING**  
INNOVATION™

3801 Lloyd King Drive, St. Charles, MO 63304

(800) 633-0232 In Missouri (636) 519-5400 Fax: (636) 519-5410

e-mail: sales@kinginnovation.com

www.kinginnovation.com

Toll Free: 1-800-633-0232

In Missouri: (636) 519-5400

FAX: (636) 519-5410

# WIRE COMBINATIONS

## OUTDOOR/IRRIGATION - GRAY

### KO - GRAY WIRE COMBINATIONS

#### 300V

---

5 #18, 20 or 22  
3 #16  
1 #12  
4 #20 w/1 #22  
3 #20 w/1-2 #22  
2 #20 w/2-3 #22  
1 #20 w/4 #22  
4 #18 w/1 #20 or 22  
3 #18 w/2 #20 or 22  
2 #18 w/3 #22  
3 #16 w/1 #18, 20 or 22  
2 #16 w/3 #20 or 22  
2 #16 w/2 #18  
2 #14 w/2 #22  
2 #14 w/1 #18 or 20  
1 #14 w/3 #18 or 20  
1 #14 w/2 #16

#### 600V

---

3 or 4 #20 or 22  
2-4 #18  
2 #14 or 16  
1 #12  
2 #20 w/1-2 #22  
1 #20 w/2-3 #22  
3 #18 w/1-2 #20 or 22  
2 #18 w/1-3 #22  
2 #18 w/1 or 2 #20 or 22  
1 #18 w/3-4 #22  
1 #18 w/1-4 #20  
2 #16 w/1-3 #22  
2 #16 w/1 or 2 #20 or 22  
2 #16 w/1-2 #18  
1 #16 w/1-4 #20 or 22  
1 #16 w/1 #18 or 20  
2 #14 w/1 #22  
1 #14 w/2-4 #22  
1 #14 w/1-3 #20  
1 #14 w/1 or 2 #18 or 20  
1 #14 w/1 #16 or 18