
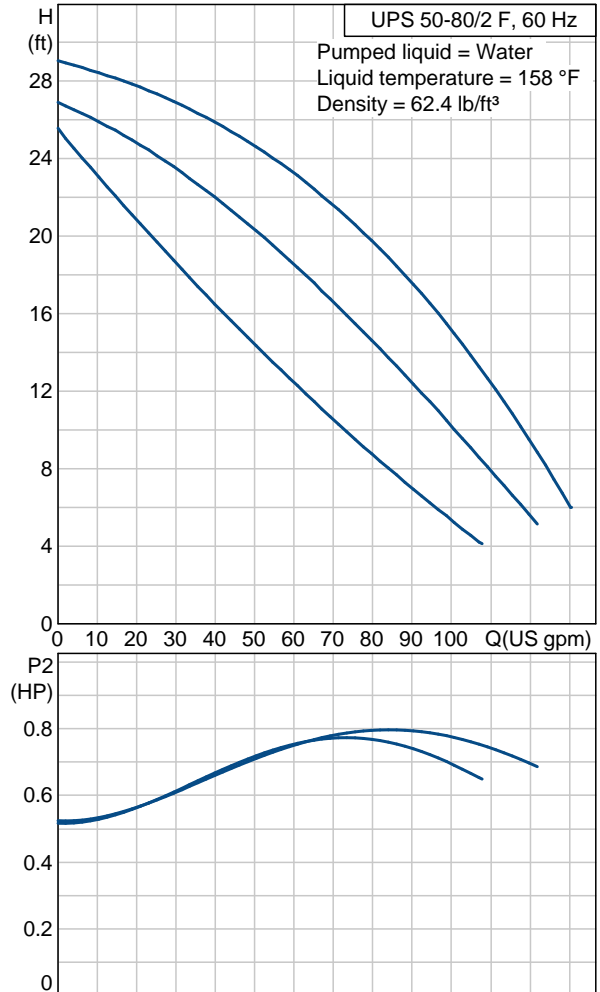




Position	Count	Description	Unit price
	1	<p><b>UPS 50-80/2 F</b></p>  <p>Product photo could vary from the actual product</p> <p>Product No.: 96402834                      The pump is of the canned rotor type, i.e. pump and motor form an integral unit without shaft seal and with only two gaskets for sealing. The bearings are lubricated by the pumped liquid.</p> <p>In order to avoid problems in connection with disposal, great importance has been attached to using as few different materials as possible.</p> <p><b>The pump is characterized by:</b></p> <ul style="list-style-type: none"> <li>* 3-speed motor.</li> <li>* Ceramic radial bearings.</li> <li>* Carbon axial bearing.</li> <li>* Stainless steel rotor can, bearing plate and rotor cladding.</li> <li>* Aluminium alloy stator housing.</li> <li>* Cast iron pump housing.</li> <li>* Stator with built-in thermal switch.</li> </ul> <p>The motor is a 1-phase motor.</p> <p>The pump is supplied with a standard module in the terminal box. The standard module is to be connected to the mains supply via external contactor.</p> <p><b>Controls:</b>                      Relay: with relay</p> <p><b>Liquid:</b>                      Liquid temperature range: 14 .. 248 °F                      Liquid temp: 158 °F                      Density: 61.01 lb/ft³</p> <p><b>Technical:</b>                      Approvals on nameplate: CUL</p> <p><b>Materials:</b>                      Pump housing: Cast iron</p>	On request

Position	Count	Description	Unit price
		EN-JL1040 ASTM 35 B - 40 B Impeller: Stainless steel DIN W.-Nr. 1.4301 AISI 304  <b>Installation:</b> Range of ambient temperature: 32 .. 104 °F Maximum operating pressure: 145 psi Flange standard: USA Type of connection: F Pipe connection: 50 Pressure stage: 145 psi Port-to-port length: 11 1/2" mm  <b>Electrical data:</b> Number of poles: 2 Power input in speed 1: 600 W Power input in speed 2: 610 W Max. power input: 630 W Main frequency: 60 Hz Rated voltage: 1 x 115 V Current in speed 1: 5.8 A Current in speed 2: 5.7 A Current in speed 3: 5.85 A Cos phi in speed 1: 0,9 Cos phi in speed 2: 0,93 Cos phi: 0,94 Capacitor size - run: 60 µF/250 V Enclosure class (IEC 34-5): 44 Insulation class (IEC 85): H  <b>Others:</b> Net weight: 48.7 lb Gross weight: 54.2 lb Shipping volume: 2.08 ft³	

Description	Value
Product name:	UPS 50-80/2 F
Product No.:	96402834
EAN:	5700390683191
<b>Technical:</b>	
Speed Number:	3
Head max:	26.2 ft
Approvals on nameplate:	CUL
Model:	C
<b>Materials:</b>	
Pump housing:	Cast iron EN-JL1040 ASTM 35 B - 40 B
Impeller:	Stainless steel DIN W.-Nr. 1.4301 AISI 304
<b>Installation:</b>	
Range of ambient temperature:	32 .. 104 °F
Maximum operating pressure:	145 psi
Flange standard:	USA
Type of connection:	F
Pipe connection:	50
Pressure stage:	145 psi
Port-to-port length:	11 1/2" mm
<b>Liquid:</b>	
Liquid temperature range:	14 .. 248 °F
Liquid temp:	158 °F
Density:	61.01 lb/ft <sup>3</sup>
<b>Electrical data:</b>	
Number of poles:	2
Power input in speed 1:	600 W
Power input in speed 2:	610 W
Max. power input:	630 W
Main frequency:	60 Hz
Rated voltage:	1 x 115 V
Current in speed 1:	5.8 A
Current in speed 2:	5.7 A
Current in speed 3:	5.85 A
Cos phi in speed 1:	0,9
Cos phi in speed 2:	0,93
Cos phi:	0,94
Capacitor size - run:	60 µF/250 V
Enclosure class (IEC 34-5):	44
Insulation class (IEC 85):	H
Motor protection:	CONTACT
Thermal protec:	internal
R a:	4.15 - 5.45 ohm
R s1:	1.2 - 1.56 ohm
R s2:	2.65 - 3.5 ohm
<b>Controls:</b>	
Relay:	with relay
Pos term box:	1.30H
<b>Others:</b>	
Net weight:	48.7 lb
Gross weight:	54.2 lb



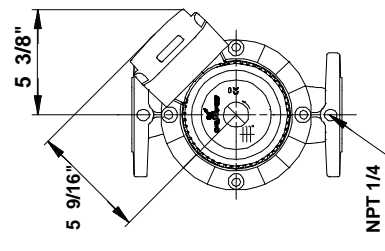
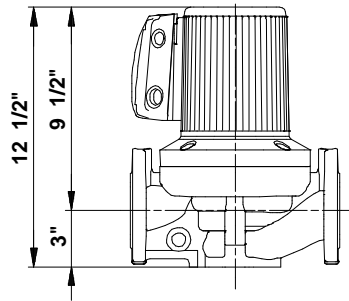
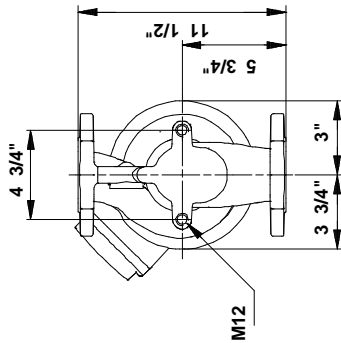
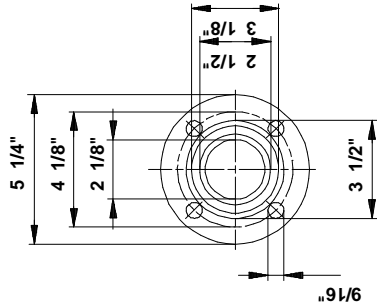


Company name: -  
Created by: -  
Phone: -  
Fax: -  
Date: -

Description	Value
Shipping volume:	2.08 ft <sup>3</sup>
Sales region:	Namreg



**96402834 UPS 50-80/2 F 60 Hz**



Note! All units are in [mm] unless others are stated.  
 Disclaimer: This simplified dimensional drawing does not show all details.