



BOLT-LOK™ FC Restrained Joint

SNAP-LOK™ FC and BOLT-LOK™ FC are Griffin Field Cut kits which provide an immediate way to adapt to unforeseen field conditions. Timely and dependable restrained joints are created by adding the appropriate field cut restraining ring and locking segment retainer ring assembly to any cut or plain end pipe. SNAP-LOK FC is used with SNAP-LOK pipe, and BOLT-LOK FC is used with mechanical joint pipe and/or fittings.

Dimensions

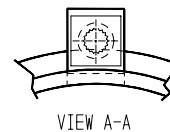
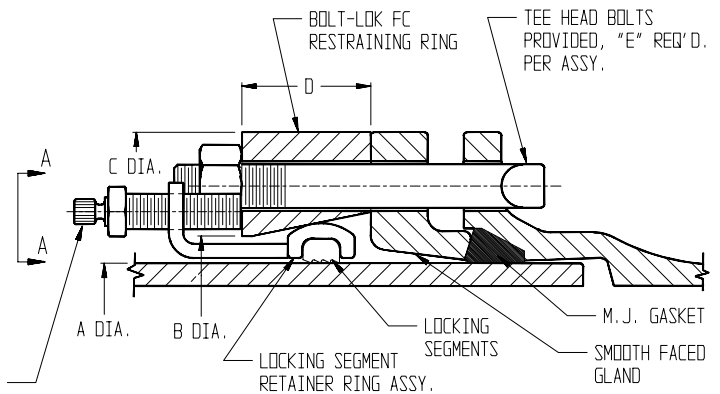
SIZE	A DIA	B DIA	C DIA	D	E
6	6.90	7.87	11.38	2.00	6
8	9.05	9.99	13.63	2.25	6
10	11.10	11.96	15.88	2.25	8
12	13.02	14.10	18.19	2.50	8
14	15.30	16.19	20.50	2.50	10
16	17.40	18.26	22.75	2.63	12
18	19.50	20.30	25.75	2.63	12
20	21.60	22.33	28.25	2.88	14
24	25.80	26.50	32.50	3.00	16

Dimensions in inches unless noted otherwise.

BREAK-AWAY SET SCREW,
5/8"-11 X 3" LONG, 4140 CASE
HARDENED, BREAK AWAY
TORQUE 40 FT-LB, USE
7/16" 12 POINT SOCKET

Specifications

BOLT-LOK FC shall be used to provide field applied restraint to any mechanical joint bell. BOLT-LOK FC shall meet the manufacturing standard of Griffin Pipe Products Co. and the appropriate parts of ANSI/AWWA C111/A21.11 and C153/A21.53.



Plants and Regional Sales Offices:

Council Bluffs, Iowa 51501
2601 Ninth Avenue
712/325-5131 Fax 712/325-5139

Florence, New Jersey 08518
1100 West Front Street
609/499-1400 1-800-272-2006
Fax 609/499-4868

Lynchburg, Virginia 24505
Adams St. - Upper Basin, Box 740
804/522-4742 Fax 804/522-4739