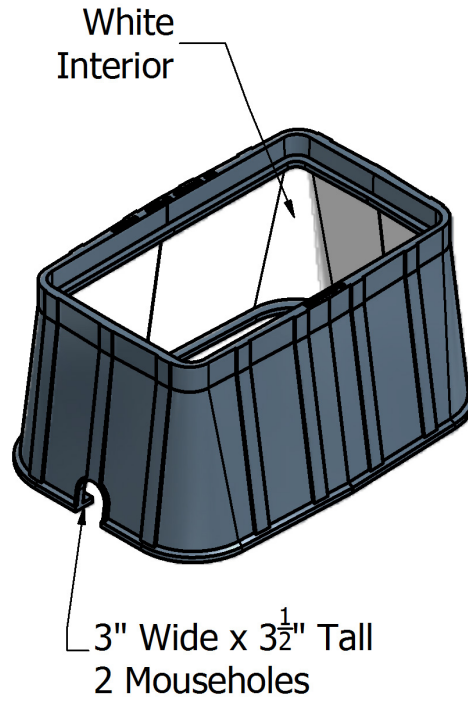
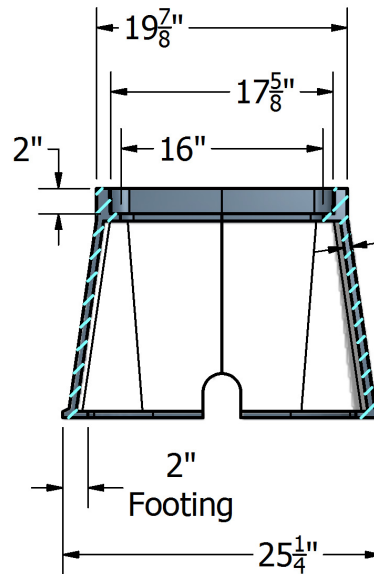
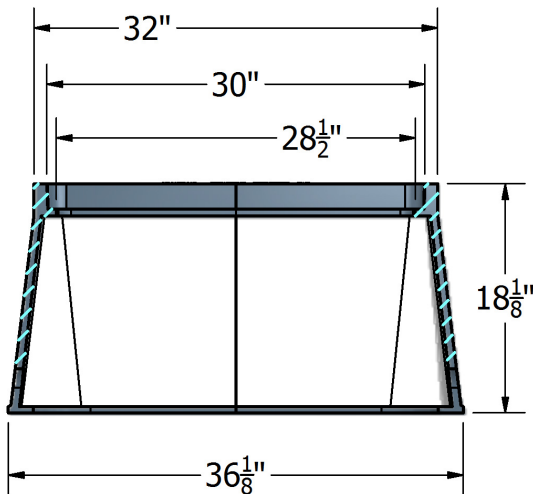


Heavywall
1730 MSBC



COVER:
 Style: Flush
 Material: Ductile Iron
 Weight: 63 lbs
 Options: Logos and Special Marking

BODY:
 Material: Polyethylene Blend
 Model: 20" x 34"
 Weight: 18" Depth: 24 lbs
 Mouseholes: 2



For use in non-vehicular traffic situations only.

*Cover comes standard with permanent markings for manufacturer, load rating, model size and manufacturing location.

Contact your Oldcastle Enclosure Solutions Distribution Center for specific information and additional options.

Actual load rating is determined by the box and cover combination. Weights and dimensions may vary slightly.

Heavywall
1730 MSBC

Options:

Available Lightweight Plastic Covers:

- Flush Solid Cover
- Flush Cover with Plastic Reader Door
- Flush Cover with Cast Iron Reader Door

Available Heavy Duty Plastic Covers:

- Flush Solid Cover

Available Polymer Concrete Covers:

- Flush Solid Cover
- Flush Cover with Cast Iron Reader Door

Available Ductile Iron Covers:

- Flush Solid Cover
- Flush Cover with Cast Iron Reader Door

Add On Options for All Covers:

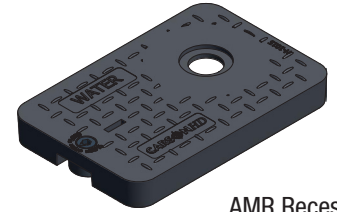
- Touch Read Hole

Add On Options for Plastic and Polymer Covers:

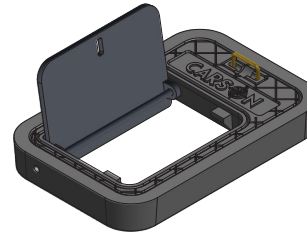
- ERT Holder



Flush Solid



AMR Recess



Reader Door Detail



Undermount Detail

Raw Material Specifications:

- Meter Boxes are high-density Polyethylene, one-piece molded construction
- Wall thickness minimum .550"
- Vertical load rating minimum 15,000 lbs.
- Sidewall loading of 200 lb side load, applied with a 4" X 4" plate.
- Multi-layer wall construction
- Black exterior surface to provide UV protection
- Gray foaming for strength and insulating value
- White interior surface for ease of meter reading
- Manufactured by Oldcastle Precast Enclosure Solutions

Cast Iron Meter Ring and Lid Specifications:

- Made of cast iron conforming to ASTM A48 standards and marked with country of origin
- Coated with a factory applied water based asphalt paint
- Castings are ground smooth and cleaned by shot blasting, uniform quality, free from sand holes, shrinkage, cracks and other surface defects, with a dimensional tolerance of +/- 1/16" per foot based on the accepted foundry tolerances outlined in the Iron Castings Handbook published by the American Foundry Society.

Product Load Rating:



Medium Duty : Non-Deliberate Traffic

Note:

Actual load rating is determined by the box and cover combination. Weights and dimensions may vary slightly. All information contained on this sheet is current at the time of printing. Oldcastle Precast, Inc. reserves the right to discontinue or update product information without notice.

