

TAF Series

Innovative self-cleaning high quality plastic filter for a wide variety of applications



flow rates

**up to 220 US gpm
(50 m³/h)**

filtration degrees

500-10 micron

water for cleaning

**less than 1% of the
total flow**

minimum operating
pressure

22 psi (1.5 bar)

features:

- Unique electric drive mechanisms
- Automatic flushing according to differential pressure and/or time
- Option for continuous flushing
- Low power consumption
- No interruption of downstream flow during flushing
- Electronically monitored cleaning with flexible control options
- Applications: Water supply systems, cooling water, wastewater treatment

How the TAF Filters Work

General

Amiad's TAF Series consists of easy-to-operate 2" and 3" automatic filters constructed of high quality plastic and driven by either an electrical or electronic self-cleaning mechanism. The various types of TAF screens are designed to cover a filtration degree range of 500-10 micron and flow rates up to 220 US gpm (50 m³/h).

The Filtering Process

The water enters the inner area of the screen cylinder (1) through the filter inlet (2) and flows through the screen to the filter outlet (3). The dirt particles are trapped on the inner screen surface and form a "filtration cake" that causes a differential pressure across the screen.

The Self-Cleaning Process

During the self-cleaning process, while filtered water continues to flow, the filter's Exhaust Valve (4) is opened and the Drive Unit (5) spirals the Suction Scanner (6) back and forth. The spiral rotation of the suction scanner nozzles across the inner surface of the screen "vacuums" the filtration cake out the exhaust valve.

The Control System

The control system consists of an Amiad Electronic Flushing Controller (7), a 3-way Solenoid Valve (8) that controls the filter's exhaust valve and a Pressure Differential Switch (9) that senses the pressure differential across the screen and sends a signal to the controller when it reaches a pre-set value (usually 7 psi/0.5 bar).

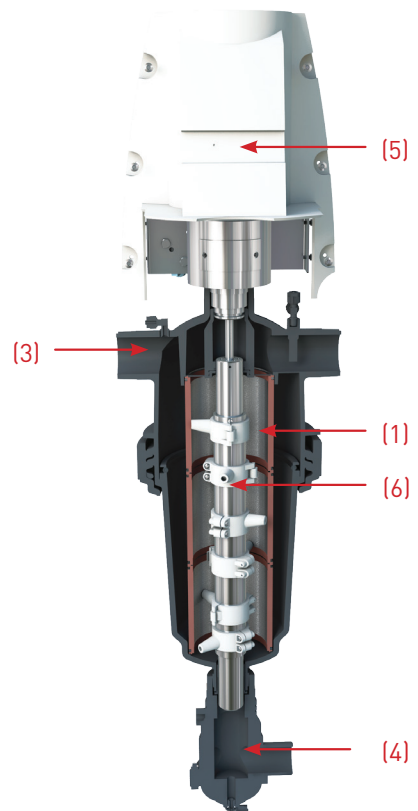
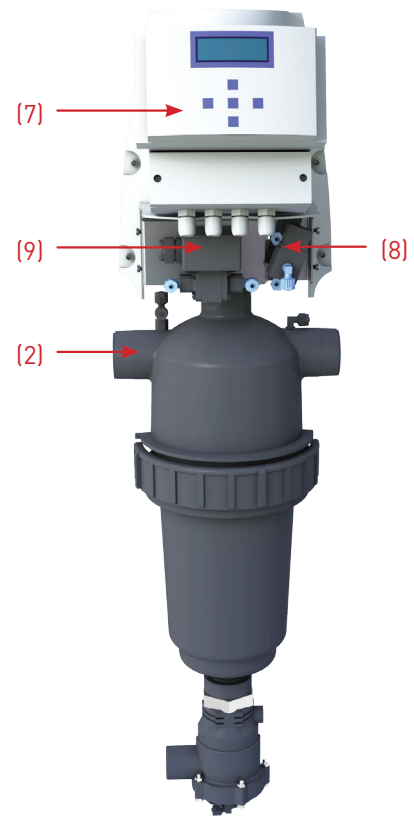
The controller begins a self-cleaning cycle under any of the following conditions:

1. Receiving a signal from the Pressure Differential Switch
2. Time interval parameter set at the controller by the user
3. Manual Start function at the controller keyboard

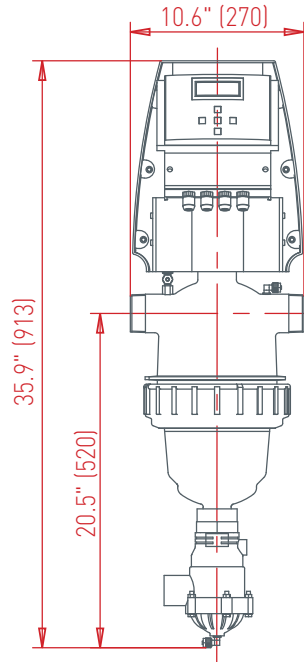
"TAF" Models

Amiad's "TAF" product-line consists of electric filters with 220/110 VAC drive unit:

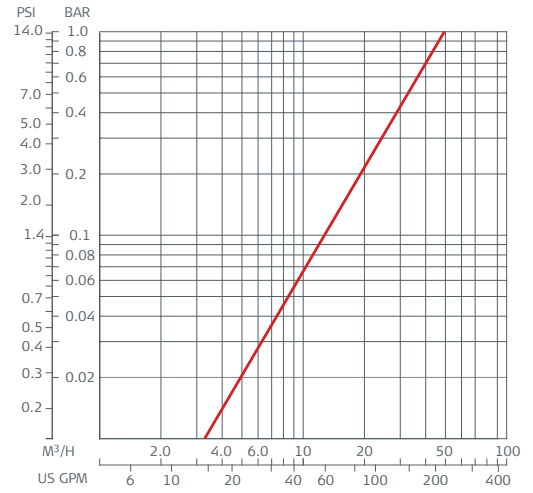
- 2" TAF 500 for flow rates of up to 110 US gpm (25 m³/h)
- 2" TAF 750 for flow rates of up to 110 US gpm (25 m³/h) and higher dirt loads
- 3" TAF 750 for flow rates of up to 220 US gpm (50 m³/h)



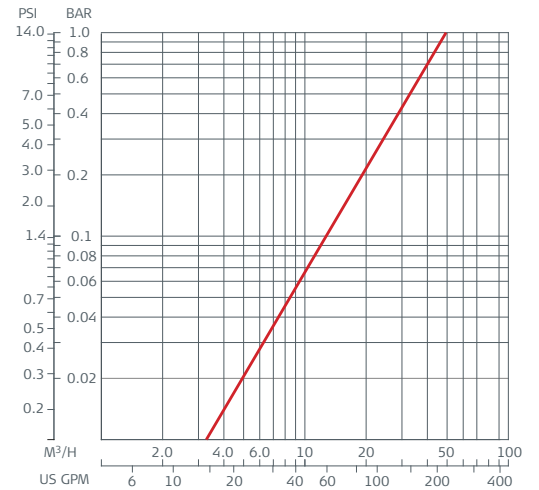
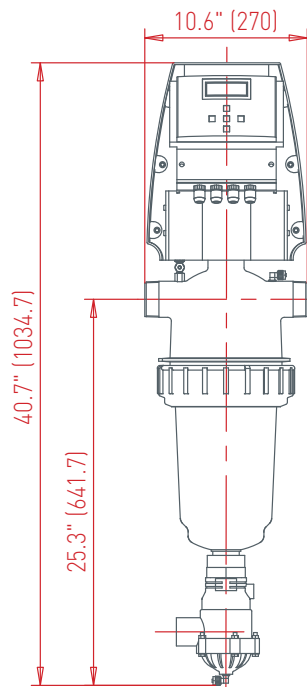
2" TAF-500



Pressure Loss Graphs



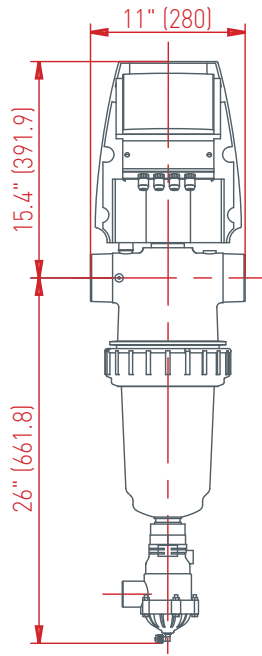
2" TAF-750



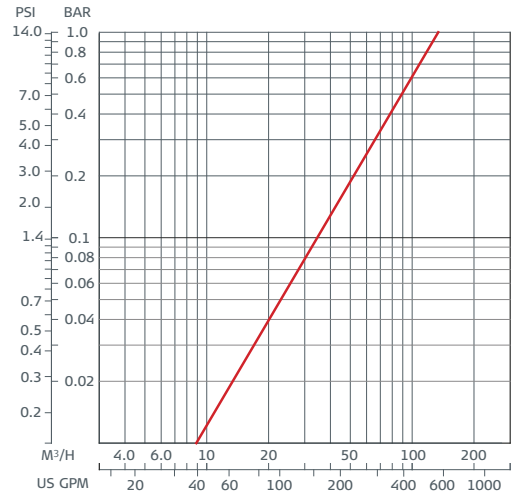
Dim. in inch (mm)

*Approx. length required for maintenance

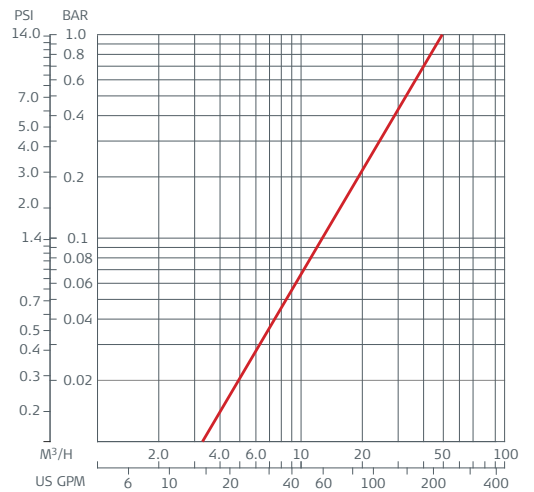
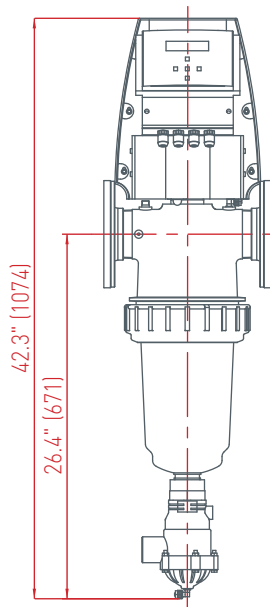
3" TAF-750



Pressure Loss Graphs



3" TAF-750, Flanges



Dim. in inch (mm)

*Approx. length required for maintenance

Technical Specifications

Filter Type	2" TAF 500	2" TAF 750	3" TAF 750
-------------	------------	------------	------------

General Data			
Maximum flow rate*	110 US gpm (25 m ³ /h)	110 US gpm (25 m ³ /h)	198 US gpm (45 m ³ /h)
Inlet/Outlet diameter	2"/50 mm	2"/50 mm	3"/80 mm or 3" Flanged
Standard filtration degrees	500, 300, 200, 130, 100, 80, 50, 25, 10 micron		
Min. working pressure	22 psi (1.5 bar) Can be lower if pressure is increased for flushing		
Max. working pressure	116 psi (8 bar)		
Max. working temperature	140 °F (60°C)		
Electrical Supply	110/220 VAC		
Weight [empty]	25.6 lb (11.6 kg)	27.3 lb (12.4 kg)	13.0 kg (28.7 lb)

* Consult Amiad for optimum flow depending on filtration degree & water quality.

Flushing Data			
Minimum flow for flushing (at 22 psi - 1.5 bar)	18 US gpm (4 m ³ /h)	25 US gpm (5.7 m ³ /h)	25 US gpm (5.7 m ³ /h)
Reject water volume per flush cycle	4.7 US gallon (18 liter)	6.6 US gallon (25 liter)	6.6 US gallon (25 liter)
Flushing cycle time	16 seconds		
Exhaust valve	1½" (40 mm)		
Flushing criteria	Differential pressure of 7psi (0.5 bar), time intervals and manual operation		

Screen Data			
Filter area	77.5 in ² (500 cm ²)	116 in ² (750 cm ²)	116 in ² (750 cm ²)
Screen types	St. St. 316 weave wire screen with Polycarbonate construction, SMO-254		

Control and Electricity	
Rated operation voltage	220 V, 110 V upon request
Electric motor	15 Watt 50 / 60 Hz, Gear output 48 / 58 R.P.M.
Current consumption	0.18 A
Control voltage	Electric TAF - 24 VAC

Construction Materials	
Filter housing and lid	PA+GF
Cleaning mechanism	PVC, Delarin
Exhaust valve	Plastic, Natural rubber
Seals	NBR
Control	Brass, Stainless steel, PE, PP



Municipal



Industry



Irrigation

Headquarters

Amiad Water Systems Ltd. D.N. Galil Elyon 1, 12335, Israel,
Tel: 972 4 690 9500, Fax: 972 4 690 9391,
E-mail: info@amiad.com

North America

Main Office and Manufacturing:
120-J Talbert Road, Mooresville, NC 28117,
Tel: 1 704 662 3133, Fax: 1 704 662 3155, Toll Free: 1 800 24 FILTER
E-mail: info@amiadusa.com www.amiadusa.com

West Coast Sales Office and Warehouse:
2220 Celsius Avenue, Oxnard, California 93030
Tel: 805 988 3323, Fax: 805 988 3313, Toll Free: 1 800 969 4055

Chile

Amiad Andina, Carretera General San Martín 16.500 No 30,
Loteo Industrial Los Libertadores, Colina, Santiago de Chile,
Tel: 56 2 489 5100, Fax: 56 2 489 5101,
E-mail: amiadandina@amiad.com

Brazil

E-mail: amiad@amiad.com.br
Amiad Oil & Gas,
E-mail: amisur@adinet.com.uy

Europe

Amiad Water Systems Europe SAS,
Ilot No4 ZI La Boitardière, 37530 Chargé, France,
Tel: 33 (0) 2 47 23 01 10, Fax: 33 (0) 2 47 23 80 67,
E-mail: info@amiad-europe.com

Germany

Amiad Filtration Solutions (2004) Ltd. Zweigniederlassung
Deutschland Prinz-Regent-Str. 68 a 44795 Bochum,
Tel: 49 (0) 234 588082-0, Fax: 49 (0) 234 588082-12,
E-mail: info@amiad.de

Turkey

FTS – Filtration & Treatment Systems, Istanbul yolu 26 Km,
Yurt Orta Sanayii, Saray, Ankara, Tel: 90 312 8155266/7,
Fax: 90 312 8155248, E-mail: info@fts-filtration.com

India

Amiad Filtration India Pvt Limited, 305 Sai Commercial Building
Govandi St Rd, Govandi Mumbai 400 088, Tel: 91 22-67997813/14,
Fax: 91 22-67997814, Email: info@amiadindia.com

China

Amiad China (Yixing Taixing Environtec Co., Ltd.)
70 Baihe Chang, Xingjie Yixing Jiangsu, 214204,
Tel: 86 510 87134000, Fax: 86 510 87134999,
E-mail: marketing@taixing.cc

South-East Asia

Filtration & Control Systems Pte. Ltd., 19B Teo Hong Road,
088330 Singapore, Tel: 65 6 337 6698, Fax: 65 6 337 8180,
E-mail: fcs1071@pacific.net.sg

Australia

Amiad Australia Pty Ltd. 138 Northcorp Boulevard,
Broadmeadows, Victoria 3047,
Tel: 61 3 93585800, Fax: 61 3 93585888,
E-mail: sales@amiad.com.au

www.amiad.com

910101-000243/02.2012

