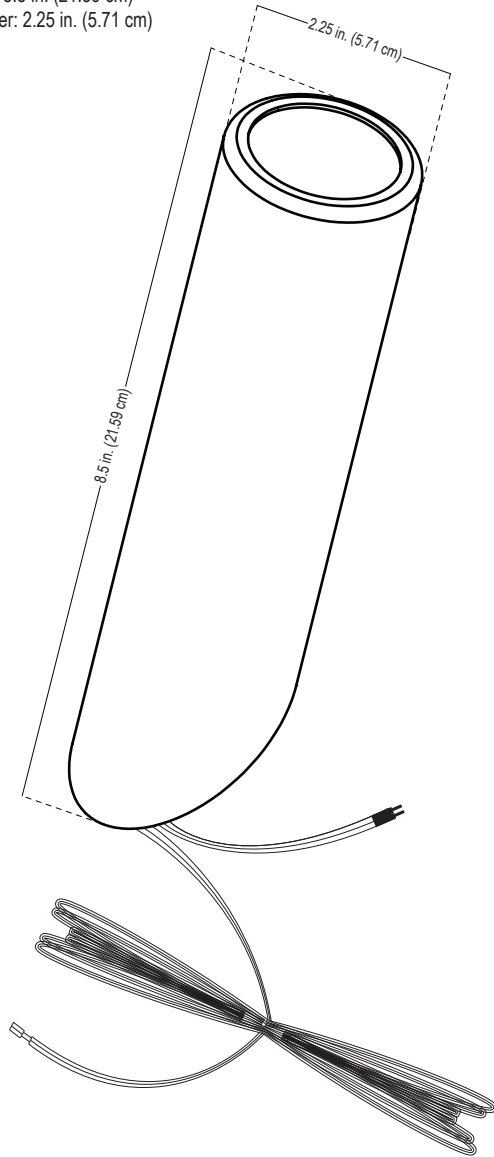


# ALLIANCE

## Specification Sheet

### Model: GL200 (MR16 In-Ground Light)

Fixture Height: 8.5 in. (21.59 cm)  
 Fixture Diameter: 2.25 in. (5.71 cm)



Notes:

Project:
Type:

#### Specifications and Features:

**Body:** Brass fixture, aged brass finish

**Lens:** Clear convex lens

**Base:** Solid brass fixture base with two rubber gasket seals

**Socket:** Spring loaded ceramic bi-pin socket with dual contact and lamp clips

**Wire:** Industry First, double wire lead pre-connected to the fixture, 16 awg (*UL listed*), brown  
 -25 foot wire lead, pre-stripped for easy wire connection  
 -18 inch wire lead, LED connection ready

**Warranty:** Lifetime warranty on fixture housing

**Certifications:** Complies with the requirements of UL-1838 and CAN/CSA-C22.2 No. 250.7. Identified with the ETL and cETL Listed Mark.



#### Lamp Options

Model #	Base Type	Angle	Wattage	Lumen Output
LMR16-LED-4W-NS	MR16	15°	4w	250lm
LMR16-LED-4W-F	MR16	45°	4w	250lm
LMR16-LED-4W-WF	MR16	60°	4w	250lm
LMR16-LED-5W-NS	MR16	15°	5w	310lm
LMR16-LED-5W-F	MR16	45°	5w	310lm
LMR16-LED-5W-WF	MR16	60°	5w	310lm
LMR16-LED-6W-F	MR16	45°	6w	400lm
LMR16-35-36 (Halogen)	MR16	45°	35w	310lm

LED Ordering Guide: Model-Lamp Wattage-Lamp Angle  
 Example: GL200-LED-5W-F

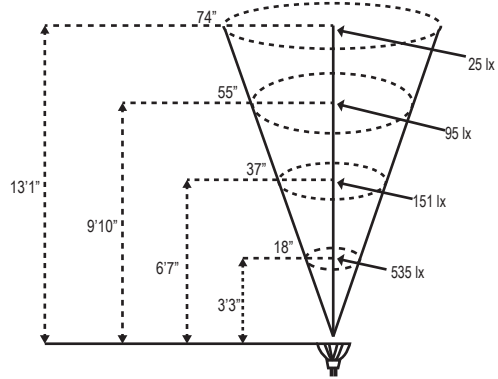
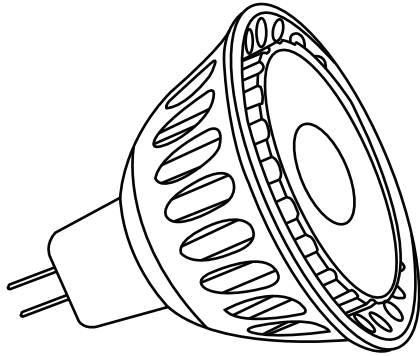
#### Accessories Available:

MR16 Accessories:
Linear Lens
Frosted Lens
Spread Lens
Blue Lens
Hex Louver

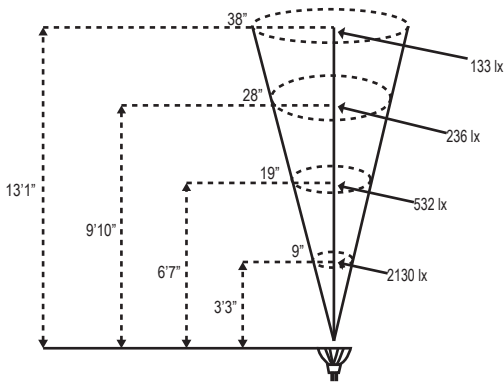
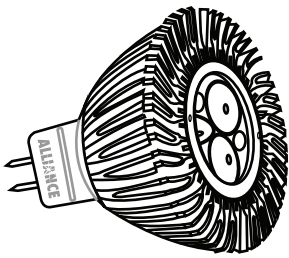
Project:
Type:

## MR16 LED Photometric Comparisons

LMR16-LED-6W-F

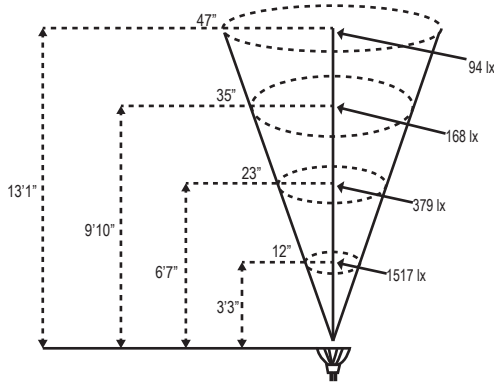
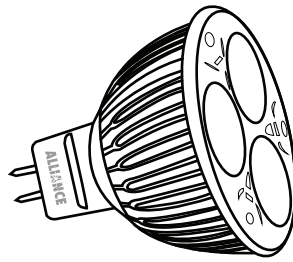


LMR16-LED-5W-NS

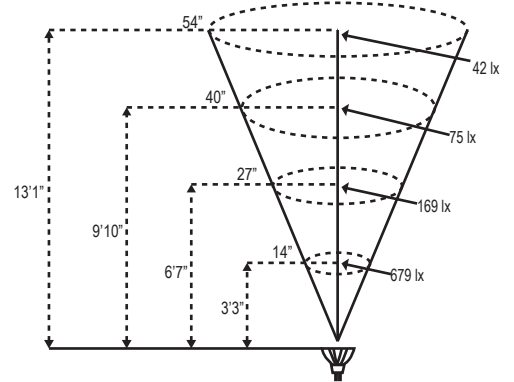
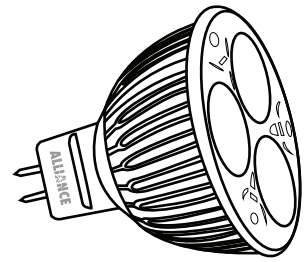


LMR16-LED-5W-F

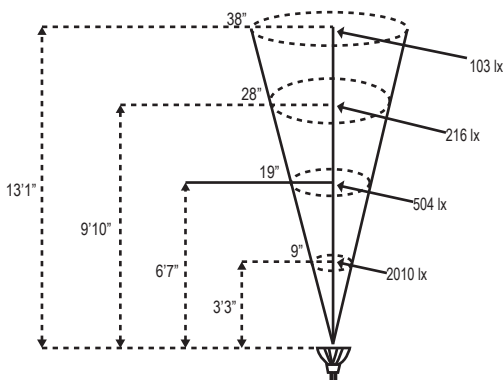
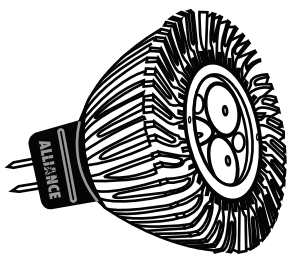
(also available in Blue, Red, Green and Amber)



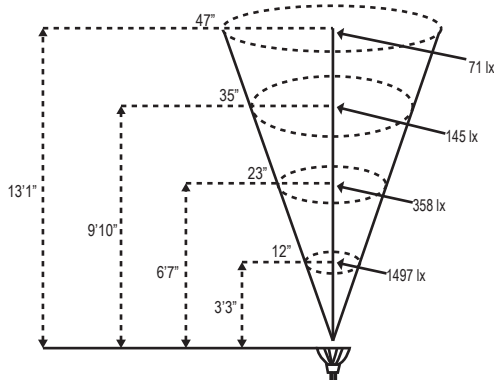
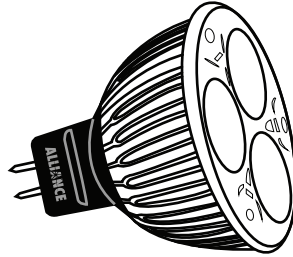
LMR16-LED-5W-WF



LMR16-LED-4W-NS



LMR16-LED-4W-F



LMR16-LED-4W-WF

