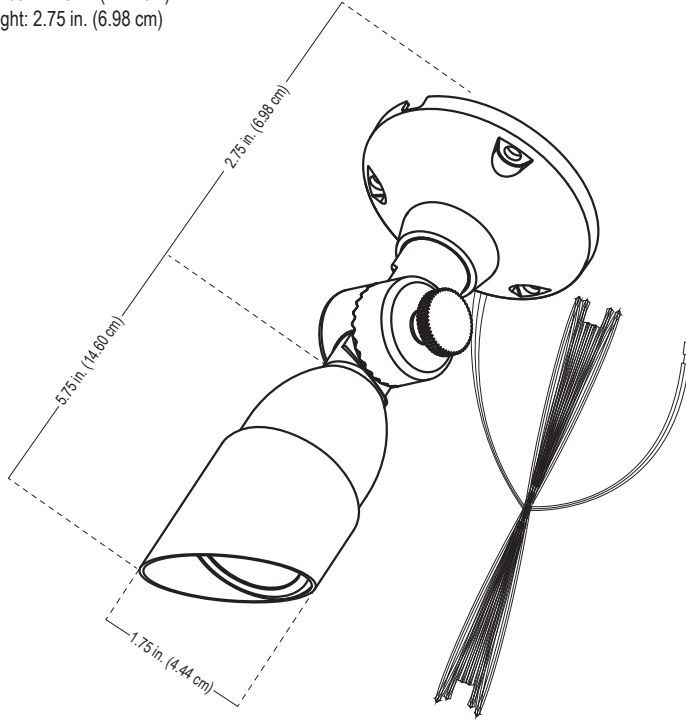


ALLIANCE

Specification Sheet

Model: DL50 (MR11 Down Light)

Fixture Height: 5.75 in. (14.60 cm)
 Fixture Width: 1.75 in. (4.44 cm)
 Base Height: 2.75 in. (6.98 cm)



Project:
Type:

Specifications and Features:

- Body:** Brass fixture, aged brass finish
- Knuckle:** Solid brass knuckle with dial adjustment
- Shroud:** Brass shroud with rubber gasket
- Socket:** Spring loaded ceramic bi-pin socket with dual contact and lamp clips
- Wire:** 25' Foot wire lead, 16 awg (UL listed), brown, Pre-connected to the fixture, Pre-stripped for easy wire connection
- Mounting Base:** Aged brass round mounting base
- Hardware:** Mounting screws
- Warranty:** Lifetime warranty on fixture housing
- Certification:** Complies with the requirements of UL-1838 and CAN/CSA-C22.2 No. 250.7. Identified with the ETL and cETL Listed Mark.



Lamp Options

Model #	Base Type	Angle	Wattage	Lumen Output
LMR11-LED-4W-F	MR11	40°	4w	250lm
LMR11-20-36 (Halogen)	MR11	40°	20w	250lm

LED Ordering Guide: Model-Lamp Wattage-Lamp Angle
 Example: DL50-LED-4W-F

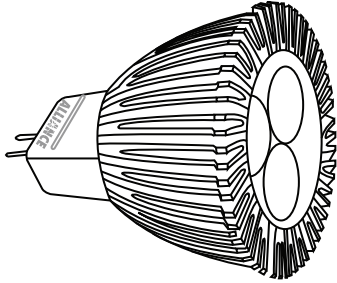
Accessories Available:

Mounting Accessories:
DL-Bracket

Notes:

Project:
Type:

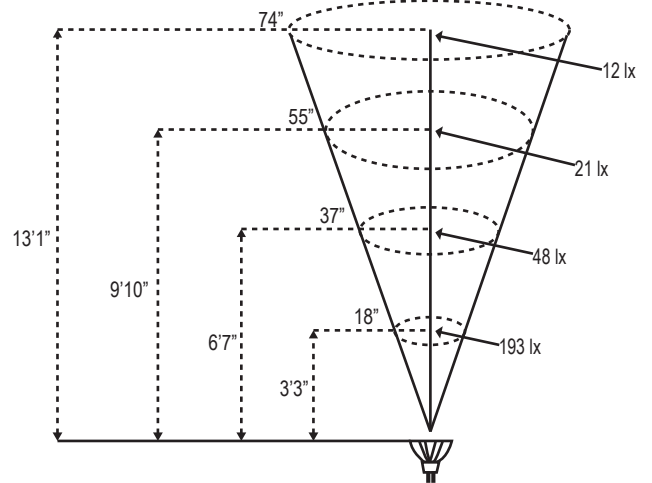
Model: LMR11-LED-4W-F (4 watt MR11 LED)



Specifications and Features:

- Watts:** 4
- Beam Angle:** 45°
- Beam Spread:** Flood
- Light Output:** 175 lumens
- Color:** Warm White
- Color Temperature:** 2900K
- Operating Voltage:** 12-24v
- CRI:** Ra>80
- LED Source:** CREE XPC
- Halogen Equivalent:** 20w
- Rated Hours:** 50,000 hrs
- Ambient Operating Temperature:** <72°C

Photometrics:



Notes: