

12" Rough-In

Features:

□ 20-023

- Vitreous china
- 16 7/8"+ ErgoHeight™ ADA Elongated Bowl
- Combination bowl and tank
- 12" Rough-in
- 1.28 gpf (4.8 Lpf) High efficiency toilet (HET)
- 3" flush valve for maximum water flow and flushing power
- Syphonic flush action cleans the bowl and prevents splashing
- Color matched all metal tank lever
- 2" fully glazed trapway for effective waste removal
- Color matched bolt caps included
- Toilet seat not included



Technical Information:

Included Components:

- Combination 20-023
- Bowl 21-187
- Tank 28-187

Other Tank Options: (bowl to be purchased separately)

Burr Ridge 1.28 gpf Tank w/ right hand lever 28-187-97

Fixtures:

Configuration	Two-piece, elongated ErgoHeight™
Water per Flush	1.28 gpf (4.8 Lpf)
Rough-In	12"
Height	30 7/8"
Width	16"
Depth	29 3/8"
Trapway	2 1/8"
Large Water Surface	10 5/8" X 6 3/4"
Shipping Weight	83 lbs

Accessories: (to be purchased separately)

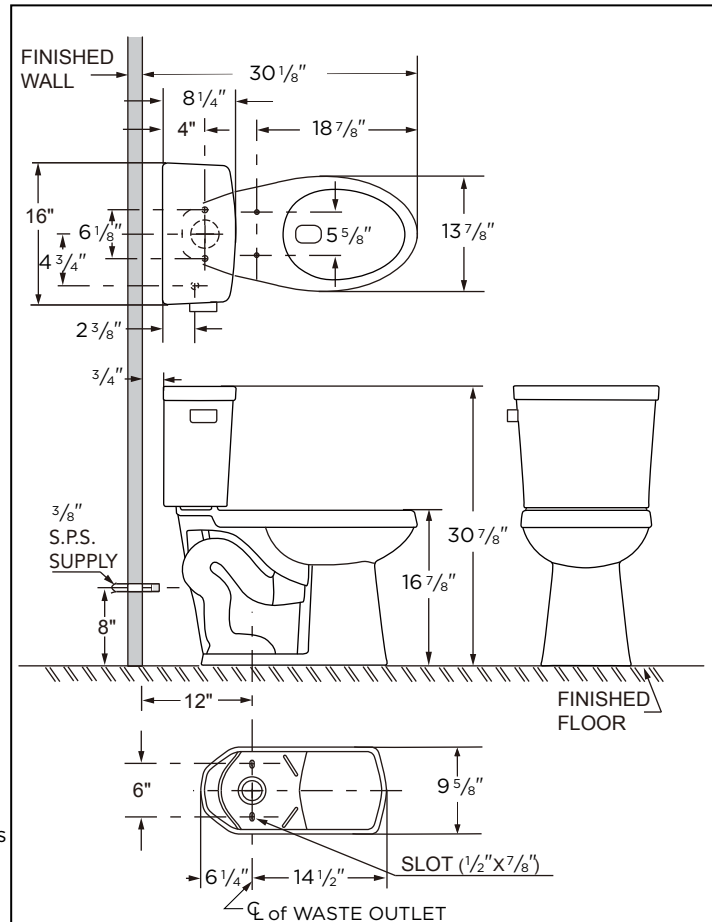
Soft Close Toilet Seat 99-213

Colors/Finishes:

- White
- Other: Refer to Price Book for additional colors/finishes

Warranty:

- Limited lifetime warranty



NOTES: All dimensions are in inches and millimeters. Illustrations may not be drawn to scale.

IMPORTANT:

Dimensions of fixtures are nominal and may vary within the range of tolerances established by ASME standard A 112.19.2 THIS FIXTURE QUALIFIES ACCORDING TO ASME TEST PROCEDURES AS A HIGH EFFICIENCY WATER CLOSET WITH AN AVERAGE CONSUMPTION OF 1.28 gpf (4.8 Lpf) OR LESS.