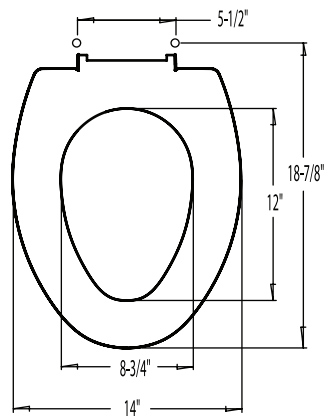
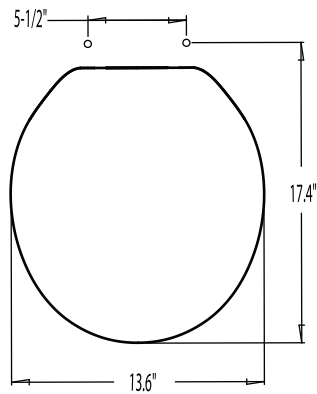




Solid Plastic Seats Elongated

Residential

1600



DETAILS

1600

Closed front with cover for elongated bowl.
Top-mount hinge.

1600BP8

Packed [8] to a master carton. Each seat is poly-bagged and bulk-packed in a master carton.

Standard Features:

- Impact-absorbing hinges
- Flat-bottom design
- Integrally-molded, permanent and sanitary color-keyed bumpers
- Corrosion-free hardware
- Withstands cleansers, strong chemicals

| Color | Code # | 1600 | 1600BP8 |
|--------------------|--------|------|---------|
| White | 001 | ● □ | □ |
| Cotton/Crane White | 301 | ● □ | |
| Linen/Biscuit | 416 | □ | |
| Black | 407 | | |
| Bone/Almond | 106-A | □ | |

Canada ● U.S. □