

CUSTOMER: _____

JOB NAME: _____

PO #: _____

QUOTE #: _____ QUANTITY: _____

SHIP TO: _____

PLUMBING CONTRACTOR APPROVAL _____ /_____/_____
DATE

GENERAL CONTRACTOR APPROVAL _____ /_____/_____
DATE

ENGINEER APPROVAL _____ /_____/_____
DATE

ARCHITECT APPROVAL _____ /_____/_____
DATE

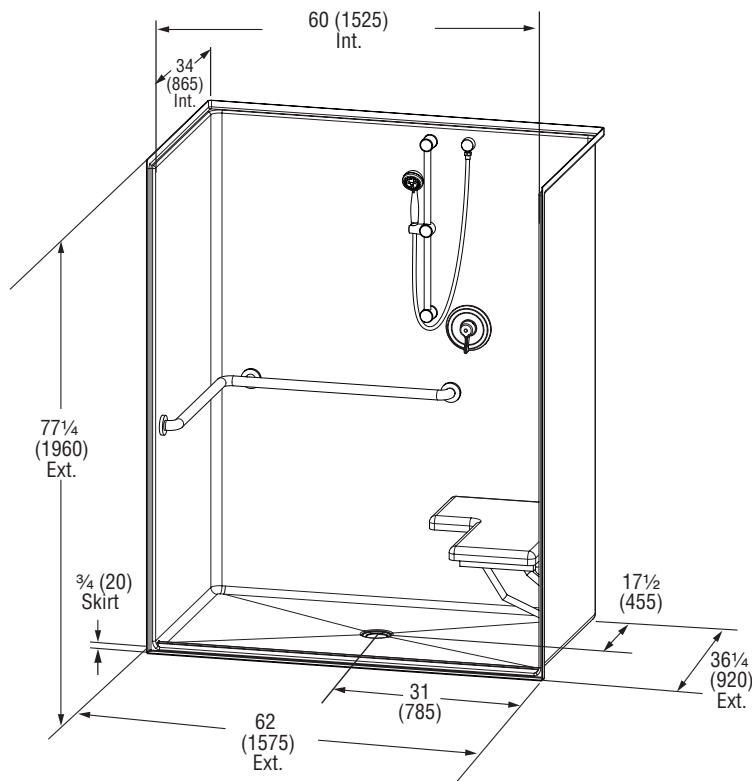
To complete your order, this document must be signed and faxed to the Aquatic Centralized Customer Service Center.
Fax (866) 544-5353 • Phone (800) 945-2726

IMPORTANT: ADA compliant showers with NO interior threshold will have water escape onto the bathroom floor.
Aquatic highly recommends you take the following precautions:

1. Install only the minimum number of ADA units without an interior threshold required for each job.
If possible install Aquatic's accessible models that have a ½ (15) interior threshold to reduce the amount of water that escapes from the shower.
2. When installing units with NO interior threshold, install a FLOOR DRAIN to control the water that escapes onto the bathroom floor.
3. Depending on your application, you may choose to install Aquatic's vinyl flexible dam or removable threshold, which helps better retain water within the shower.
However, these items may not necessarily meet ADA or other code requirements. Always confirm code compliance with your local building authority.

Int. Dim.	60 W x 34 D x 75 5/8 H (1525 x 865 x 1920)
Ext. Dim.	62 W x 36 1/4 D x 77 1/4 H (1575 x 920 x 1960)
Skirt Ht.	3/4 (20) skirt, 1/2 (15) beveled threshold
Packaged Wt.	212 lbs. (95 kg) gross
Material	Gelcoat
Warranty	Gelcoat Finished Products — Five Years

inches (mm)



STANDARD FEATURES

- Code compliant when fully equipped and installed according to guidelines
- Pre-leveled base
- Barrier-free design
- Center drain location
- Slip resistant, textured bottom [ASTM F-462]

CONFIGURATION

- Fully equipped — ADA/ANSI
Includes L-shaped grab bar, L-shaped fold-up seat, pressure balancing mixing valve and hand-held shower assembly per ADA/ANSI guidelines

ADDITIONAL OPTIONS

- Horizontal L-shaped grab bar
 Stainless Steel Powder-Coated White
- L-shaped fold-up seat
 Cushioned white LH RH
 Phenolic teak LH RH
 Phenolic white LH RH
- Hand-held shower assembly with 24 (610) slide bar and 60 (1525) hose
- Pressure balancing mixing valve
- Soap dish
- Curtain rod
- Shower curtain
- Vinyl flexible dam
- Removable threshold
- Standard Colors: Almond Biscuit
 Bone Linen White Sterling Silver
 Other _____
- Brass drain
- Additional accessories _____

For pricing of units and additional options, reference the Aquatic Price Book.



Submittal Sheet

Aquatic products may be specified as Lasco Bathware.



AQUATIC
Where Inspiration Takes Shape

1603BFSD ADA/ANSI Compliant with Seat

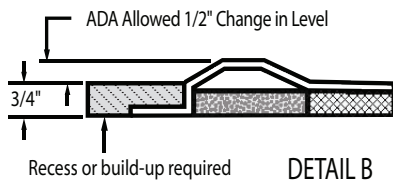
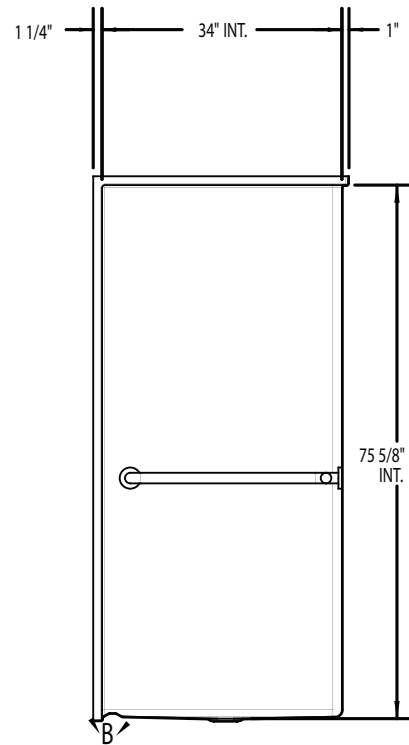
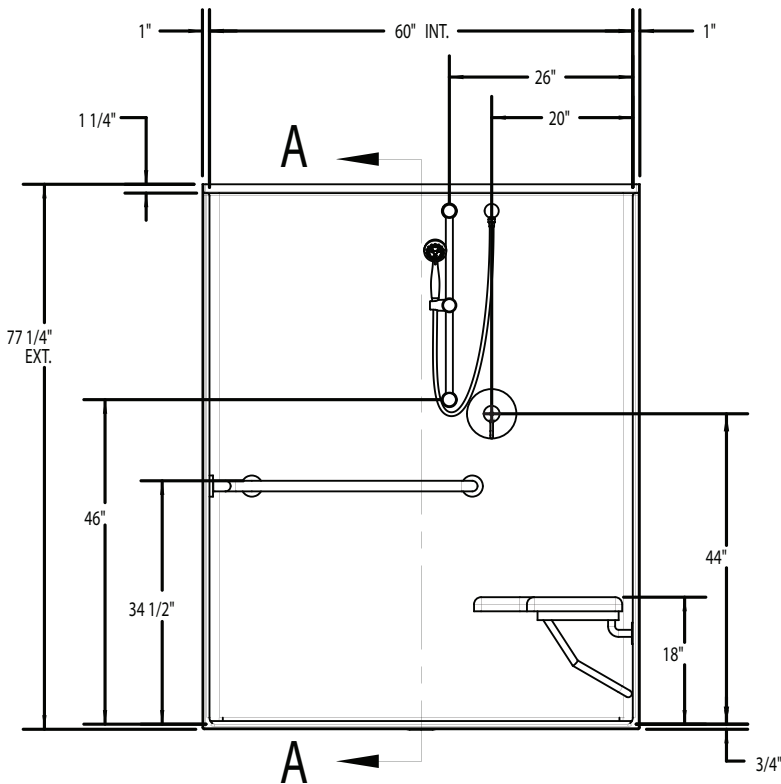
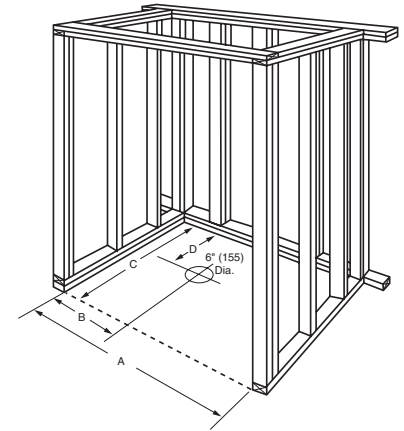
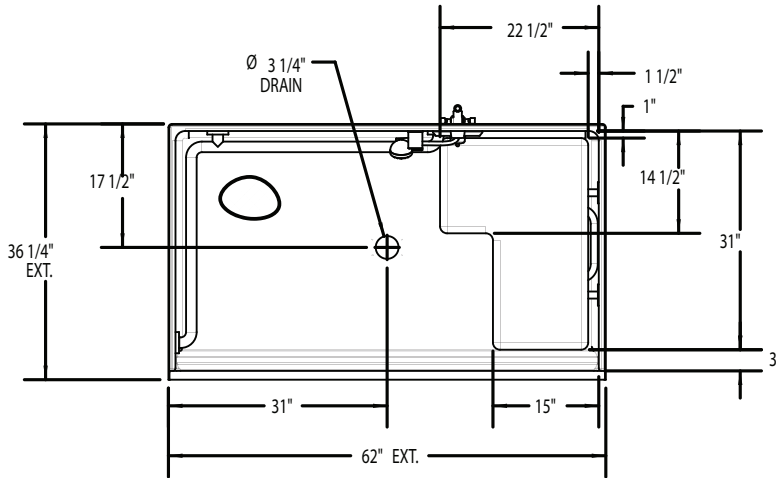
Please indicate changes needed.

FRAMING DIMENSIONS Inches (mm)

A	B	C	D
62 1/8 (1580)	31 (790)	36 1/4 (920)	17 1/2 (445)

Installation Options:

1. Install in a recessed pit for rough-in floor installation.
2. Build sub-floor to level finished floor with top of shower threshold.



Shell tolerance: +0, - 3/8"
All other tolerances: ±1"

FAX TO THE AQUATIC CENTRALIZED CUSTOMER SERVICE CENTER (866) 544-5353

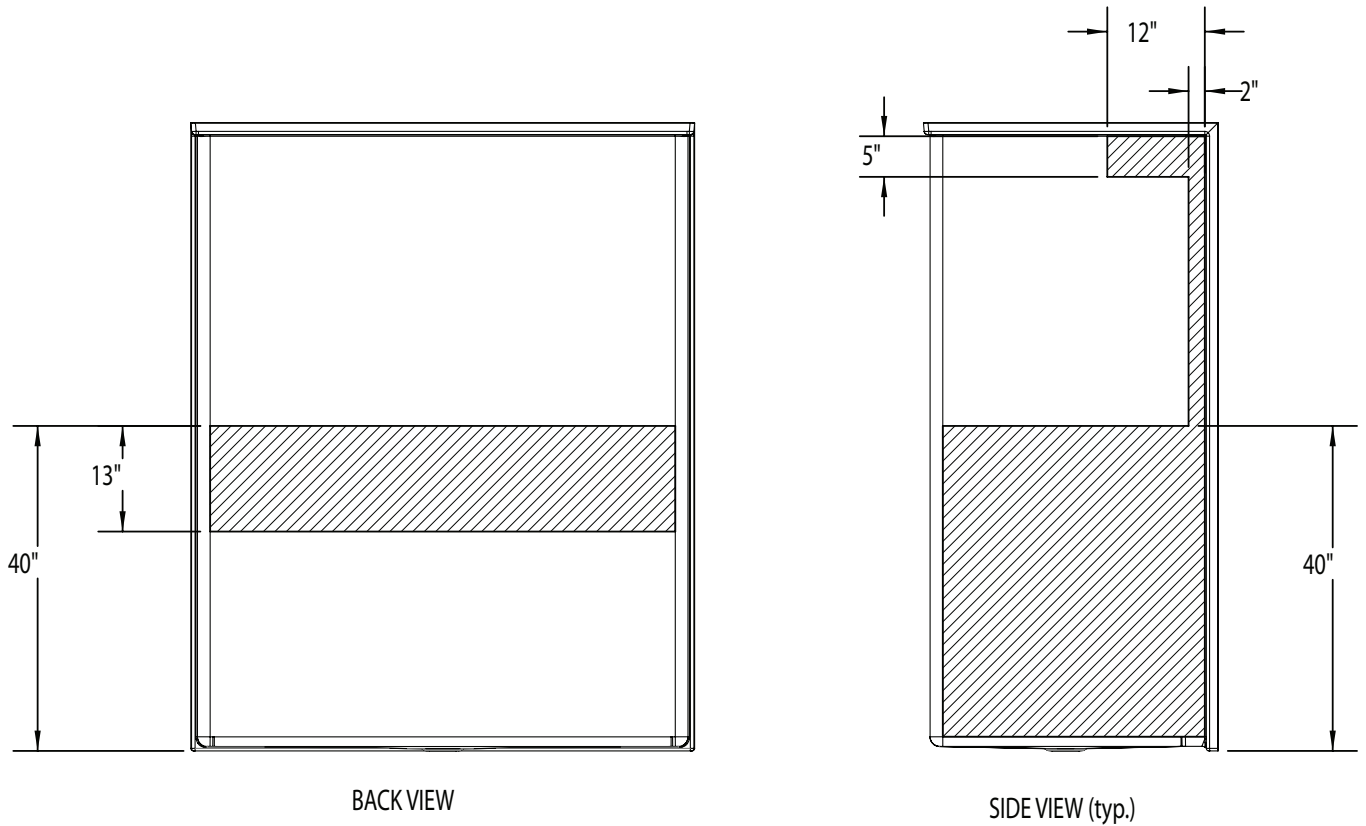
Submittal Sheet

Aquatic products may be specified as Lasco Bathware.



AQUATIC
Where Inspiration Takes Shape

1603BFSD ADA/ANSI Compliant with Seat
Please indicate changes needed.



 = 3/8" REINFORCEMENT

Shell tolerance: +0, - 3/8"
All other tolerances: ±1"

FAX TO THE AQUATIC CENTRALIZED CUSTOMER SERVICE CENTER (866) 544-5353