

Semi-Automatic Filters

Quick and efficient way for cleaning manual filters



filtration degrees
scanaway

500-50 micron

filtration degrees
brushaway

3500-200 micron

supported diameters

2" - 14"

maximum operating
pressure

150 psi (10 bar)

features:

- Simple turn-of-a-handle cleaning of the filter screen
- Eliminates the need for turning off the water and extracting the filter screen for rinsing
- No interruption of the process water flow during cleaning
- Low pressure loss
- Available as an upgrading kit for Amiad manual filters from 2"-14"
- Fitted with a "Clogging Indicator"

Amiad Semi-Automatic Filters

General

Amiad's exclusive Semi-Automatic assemblies provide a quick and efficient way for cleaning manual filters. Amiad's Scanaway and Brushaway are add-on assemblies built for upgrading Amiad's steel and plastic filters to semi-automatic operation by adding simple turn-of-a-handle cleaning mechanism to the filter's screen. Upgrading a manual filter to semi-automatic operation eliminates the need for turning-off the water and extracting the filter screen for rinsing, with the semi-automatic assembly the process flow is not interrupted during operation. Amiad's semi-automatic assemblies are fitted with a Clogging Indicator for visually monitoring the status of the filter element without disrupting the water flow. A red button pops-up from the indicator when the differential pressure across the screen reaches 0.5 bar. Amiad's semi-automatic assemblies are available for all Amiad manual filters from 2" to 14".

How the "Clogging Indicator" Works

The Clogging Indicator is a special feature mounted on the filter pressure check points and acts like a "traffic light". When the pressure differential across the screen reaches a pre-set value of 0.5 bar the red button of the Clogging Indicator pops-up to visually indicate that the filter needs cleaning.



○

How the “Scanaway” Assembly Works

The Scanaway assembly consists of a suction-scanner, a hollow pipe with suction nozzles, that is facing the inner side of the screen.

Outside the filter a handle is connected to the “suction” scanner, allowing turning of the scanner in a spiral movement so it rotates inside the screen surface without touching the screen mesh.

Opening the exhaust valve at the filter lid creates low pressure conditions in the suction scanner, which cause the scanner nozzles to suck-in the dirt particles from the screen surface and expel the dislodged particles out through the exhaust valve.

Scanning is done during the filtration process without having to stop the flow of process water through the filter.



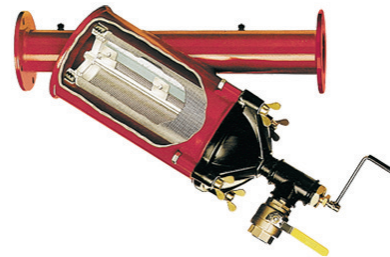
○

How the “Brushaway” Assembly Works

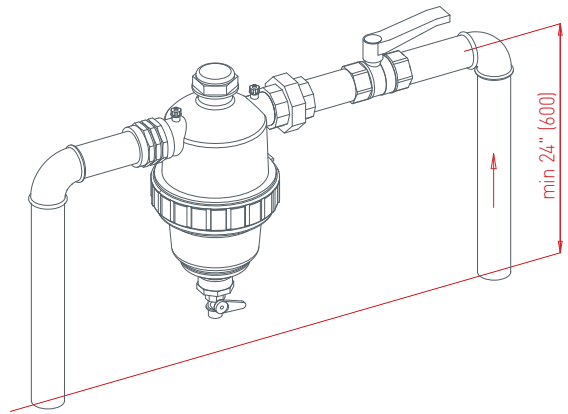
The Brushaway assembly consists of nylon brushes fitted on a frame and inserted into the filter screen.

A simple handle, outside the filter, allows brushing away particles from the inner screen surface and expel them out from the filter through the exhaust valve.

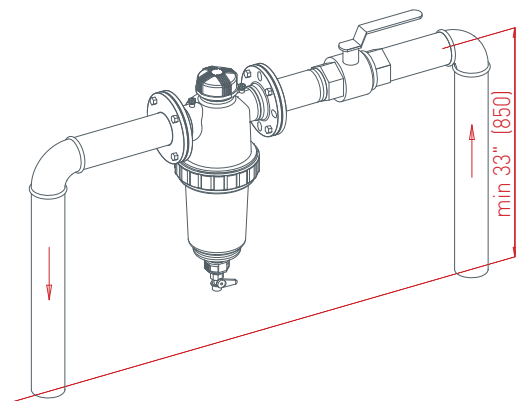
Brushing is done during the filtering process without having to stop the flow of process water through the filter.



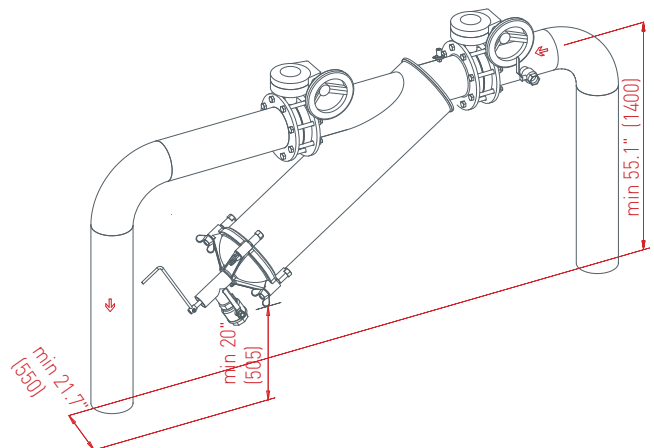
2"T



3"T



6" Super



Dim. in inch (mm)

Technical Specifications

Filter type	Plastic filters	Steel filters	
Scanaway assembly			
Supported filters	2”T, 2”T-Super, 3”T	2” In-line, 3” In-line, 4”L, 4”S, 6”C, 6”S, 8”, 10”, 12”, 14”	
Maximum flow rate	220 US gpm (50 m ³ /h)	4400 US gpm (1000 m ³ /h)	
Filter area	72 -108 in ² (465 - 700 cm ²)	72-3,546 in ² (465 - 22,880 cm ²)	
Screen types	Molded St. St. Screens		
Filtration degrees	500, 300, 200, 130, 100, 80, 50 micron		
Min. working pressure	30 psi (2 bar)		
Max. working pressure	150 psi (10 bar)		
Max. working temperature	140°F (60°C)		
Weight [empty]	2”T = 11.2 lb (5.1 kg) 2”T-Super = 13 lb (5.9 kg) 3”T = 13.9 lb (6.3 kg)	2”IL = 21 lb (9.5 kg) 3”IL = 42 lb (19 kg) 4”L = 44 lb (20 kg) 4”S = 98 lb (44.5 kg) 6”C = 110 lb (50 kg)	6”S = 140 lb (63.5 kg) 8” = 160 lb (72.5 kg) 10” = 452 lb (205 kg) 12” = 672 lb (305 kg) 14” = 870 lb (395 kg)
Construction materials	St. St. 316, Nitrile Rubber, Polypropylene		

Brushaway assembly			
Supported filters	2”T, 2”T-Super, 3”T	2”In-line, 3” In-line, 4”L, 4”S, 6”C, 6”S, 8” 10” 12” 14”	
Maximum flow rate	220 US gpm (50 m ³ /h)	4400 US gpm (1000 m ³ /h)	
Filter area	72 -108 in ² (465 - 700 cm ²)	72-3,546 in ² (465 - 22,880 cm ²)	
Screen types	Molded St. St. Screens Perforated St. St. Screens		
Filtration degrees	Molded St. St. Screens: 500, 300, 200 micron Perforated St. St. Screens: 3500, 2500, 1500, 800, 500 micron		
Max. working pressure	150 psi (10 bar)		
Max. working temperature	140°F (60°C)		
Weight [empty]	2”T = 13.2 lb (6 kg) 2”T-Super = 14.8 lb (6.7 kg) 3”T = 16 lb (7.3 kg)	2”IL = 22 lb (10 kg) 3”IL = 35.2 lb (16 kg) 4”L = 44 lb (20 kg) 4”S = 93.5 lb (42.4 kg) 6”C = 105 lb (47.4 kg)	6”S = 135 lb (61 kg) 8” = 154 lb (70 kg) 10” = 441 lb (200 kg) 12” = 650 lb (295 kg) 14” = 850 lb (385 kg)
Construction materials	St. St. 316, Nitrile Rubber, Nylon		



Municipal



Industry



Irrigation

Headquarters

Amiad Water Systems Ltd. D.N. Galil Elyon 1, 12335, Israel,
Tel: 972 4 690 9500, Fax: 972 4 690 9391,
E-mail: info@amiad.com

North America

Main Office and Manufacturing:
120-J Talbert Road, Mooresville, NC 28117,
Tel: 1 704 662 3133, Fax: 1 704 662 3155, Toll Free: 1 800 24 FILTER
E-mail: info@amiadusa.com www.amiadusa.com

West Coast Sales Office and Warehouse:
2220 Celsius Avenue, Oxnard, California 93030
Tel: 805 988 3323, Fax: 805 988 3313, Toll Free: 1 800 969 4055

Chile

Amiad Andina, Carretera General San Martín 16.500 No 30,
Loteo Industrial Los Libertadores, Colina, Santiago de Chile,
Tel: 56 2 489 5100, Fax: 56 2 489 5101,
E-mail: amiadandina@amiad.com

Brazil

E-mail: amiad@amiad.com.br
Amiad Oil & Gas,
E-mail: amisur@adinet.com.uy

Europe

Amiad Water Systems Europe SAS,
Ilot No4 ZI La Boitardière, 37530 Chargé, France,
Tel: 33 (0) 2 47 23 01 10, Fax: 33 (0) 2 47 23 80 67,
E-mail: info@amiad-europe.com

Germany

Amiad Filtration Solutions (2004) Ltd. Zweigniederlassung
Deutschland Prinz-Regent-Str. 68 a 44795 Bochum,
Tel: 49 (0) 234 588082-0, Fax: 49 (0) 234 588082-12,
E-mail: info@amiad.de

Turkey

FTS – Filtration & Treatment Systems, Istanbul yolu 26 Km,
Yurt Orta Sanayii, Saray, Ankara, Tel: 90 312 8155266/7,
Fax: 90 312 8155248, E-mail: info@fts-filtration.com

India

Amiad Filtration India Pvt Limited, 305 Sai Commercial Building
Govandi St Rd, Govandi Mumbai 400 088, Tel: 91 22-67997813/14,
Fax: 91 22-67997814, Email: info@amiadindia.com

China

Amiad China (Yixing Taixing Environtec Co., Ltd.)
70 Baihe Chang, Xingjie Yixing Jiangsu, 214204,
Tel: 86 510 87134000, Fax: 86 510 87134999,
E-mail: marketing@taixing.cc

South-East Asia

Filtration & Control Systems Pte. Ltd., 19B Teo Hong Road,
088330 Singapore, Tel: 65 6 337 6698, Fax: 65 6 337 8180,
E-mail: fcs1071@pacific.net.sg

Australia

Amiad Australia Pty Ltd. 138 Northcorp Boulevard,
Broadmeadows, Victoria 3047,
Tel: 61 3 93585800, Fax: 61 3 93585888,
E-mail: sales@amiad.com.au

www.amiad.com

910101-000244/02.2012

